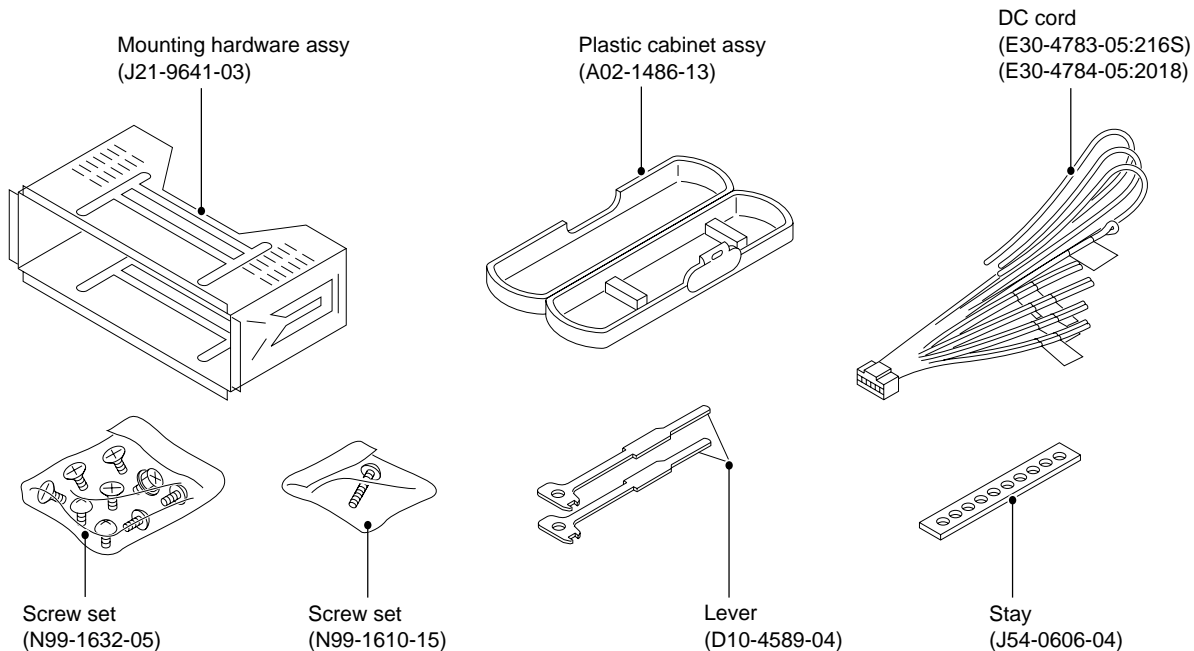
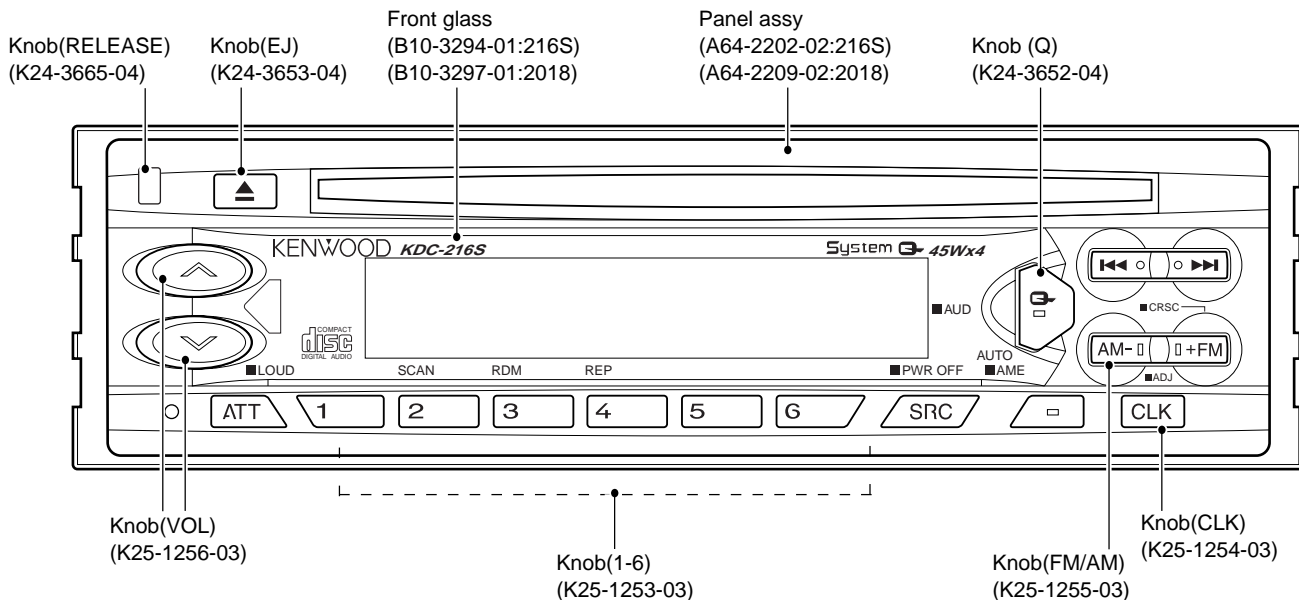
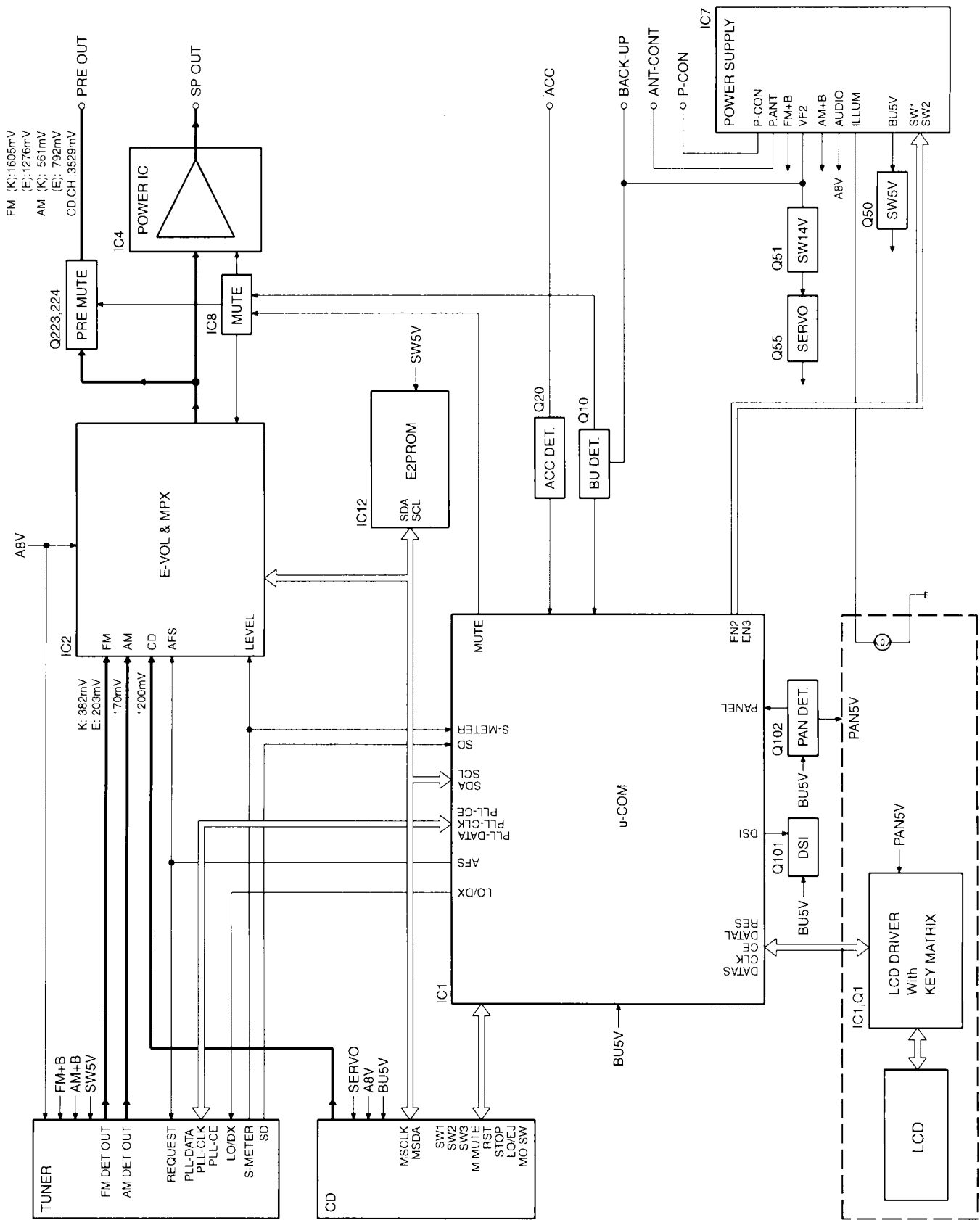


● KDC-216S



# KDC-216S/2018

## BLOCK DIAGRAM



# KDC-216S/2018

## COMPONENT DESCRIPTION

### ●SWITCH UNIT(X13-9880-13)

| Ref.No. | Component Name                | Application/Function     | Operation/Condition/Compatibility               |
|---------|-------------------------------|--------------------------|---|
| IC1     | LC75853NE                     | LCD driver               | Ready on key-matrix                             |
| Q1      | DTA114EK or KRA102S or UN2111 | key-matrix permission SW | Ready on key-matrix, ON when the base goes "Lo" |

### ●ELECTRIC UNIT(X25-8690-XX)

| Ref.No.  | Component Name                                       | Application/Function       | Operation/Condition/Compatibility                              |
|----------|--|----------------------------|--|
| IC1      | UPD780058GC231                                       | System $\mu$ -COM.         |  |
| IC2      | TDA7407D   | E-VOL. & N.C. MPX          |  |
| IC4      | TDA7386  | Power IC                   |  |
| IC7      | BA4911-V4  | Power supply IC            |  |
| IC8      | HD74HC27FP   | Mute gate IC               | 3 input NOR gate x3  |
| IC11     | S-80830ANNP  | RESET IC                   | Detection voltage 3.0V   |
| IC12     | BR24C01AF or BR24C01AF-W<br>M24C01-WMN6T or S-24C01B | E2PROM                     |  |
| Q10      | 2SC4081 or 2SD1819A                                  | B.U. detection             | Detect BU voltage  |
| Q20      | 2SC4081 or 2SD1819A                                  | ACC detection              | Detect ACC voltage   |
| Q40      | DTA124EUA or UN5112                                  | PREOUT mute driver         | Mutes when base is "Lo" (controls Q221-224)                    |
| Q50      | 2SA1036K   | SW 5V                      | ON when the base is "Lo".                                      |
| Q51      | UMC2N  | SW 14V                     | ON when the base is "Hi" (controls Q55)                        |
| Q53      | UMC2N  | Switch for power supply IC | ON when the base is "Hi" (controls SW1 pin of power supply IC) |
| Q55      | 2SD2375 or 2SD2396                                   | AVR for SERBO +B           | Output issued when SW14V is on (base is "Hi")                  |
| Q70      | 2SC4081 or 2SD1819A                                  | SURGE detection            | Detect SURGE voltage   |
| Q101     | 2SC4081 or 2SD1819A                                  | DSI SW                     | DSI LED turns ON when base is "Hi"                             |
| Q102     | DTA114YUA or UN5114                                  | PANEL 5V SW                | ON when the base is "Lo"                                       |
| Q223,224 | DTC143TUA or UN5216                                  | PREOUT MUTE                | Mute applied to PREOUT (output) when base is "Lo"              |
| Q251     | DTC114YUA or UN5214                                  | Power IC SVR SW            | Turns ON when base is "Hi" and capacitor on SVR pin discharges |

# KDC-216S/2018

## MICROCOMPUTER'S TERMINAL DESCRIPTION

### ●Terminal Description

| Pin | Function  | I/O | Description                                     | Processing Operation  |
|-----|-----------|-----|---|---|
| 1   | AV CONT   | O   | A/D converter reference voltage control output  | "Hi": ON / "Lo": OFF  |
| 2   | IC2 TYPE0 | I   | IC2 setting terminal                            | "Lo": Initial value   |
| 3   | IC2 TYPE1 | I   | IC2 setting terminal                            | "Lo": Initial value   |
| 4   | AVSS      | -   | Ground connection terminal                      | connected to GND  |
| 5   | M MUTEL   | I   | Muting request from the MICOM. of CD mecha.     | "Lo": Mute request  |
| 6   | N.C       | O   | Not used  |   |
| 7   | AVREF1    | I   | D/A converter reference voltage input           |   |
| 8   | ILLUMI    | O   | Illumination AVR ON/OFF control output          | "Hi": AVR ON  |
| 9   | L RES     | O   | Reset output to the LCD driver IC               | "Lo": Reset   |
| 10  | PANEL     | I   | Panel open/close detection input                | "Lo": Panel closed  |
| 11  | L DATAL   | I   | Data input from the LCD driver IC               |   |
| 12  | L DATAS   | O   | Data output to the LCD driver IC                |   |
| 13  | L CLK     | O   | Clock output to the LCD driver IC               |   |
| 14  | N.C       | O   | Not used  |   |
| 15  | N.C       | O   | Not used  |   |
| 16  | CH-DATAC  | I   | Data input from changers                        |   |
| 17  | CH-DATAH  | O   | Data output to changers                         |   |
| 18  | CH-CLK    | I/O | Clock input/output with changers                |   |
| 19  | L CE      | O   | CE output to the LCD driver IC                  | "Hi": Active  |
| 20  | N.C       | O   | Not used  |   |
| 21  | M RST     | O   | Reset output to the MICOM. of CD mecha.         | "Lo": Reset   |
| 22  | M STOP    | O   | Stop request to the MICOM. of CD mecha.         | "Lo": Stop  |
| 23  | MOSW      | O   | CD mechanism loading motor control output       | "Hi": Loading & Eject / "Lo": other   |
| 24  | PLL SCL   | O   | Clock output to the tuner pack                  |   |
| 25  | AM+B      | O   | AM+B control                                    | "Hi": during AM reception   |
| 26  | FM+B      | O   | FM+B control                                    | "Hi": during FM reception   |
| 27  | M-SCL     | I/O | Clock input/output with the MICOM. of CD mecha. |   |
| 28  | DSI       | O   | DSI output                                      | "Hi": LED ON  |
| 29  | LO/EJ     | I/O | CD mecha.Loading/Eject switching output         | "Lo": Loading / "Hi": Eject   |
| 30  | SW3       | I   | Down & limit switch detection input             | "Hi": Chucking / "Lo": Pickup most inner position   |
| 31  | R DATA    | I   | Data input from RDS decoder                     |   |
| 32  | R QUAL    | I   | Quality input from RDS decoder                  |   |
| 33  | VSS1      | -   | Ground connection terminal                      | connected to GND  |
| 34  | SD        | I   | SD input from the tuner pack                    | "Hi": Station detected  |
| 35  | IC2 SCL   | O   | Clock output to the E-VOL. IC                   |   |
| 36  | M-SDA     | I/O | Data input/output with the MICOM. of CD mecha.  |   |
| 37  | PLL SDA   | I/O | Data input/output with the tuner pack           |   |
| 38  | IC2 SDA   | I/O | Data input/output with the E-VOL. IC            |   |
| 39  | MUTE      | O   | Mute control output                             | "Hi": Mute ON / "Lo": Mute OFF  |
| 40  | N.C       | O   | Not used  |   |
| 41  | AFC       | O   | AFC control output                              | "Lo": during FM seek  |
| 42  | CH-REQH   | O   | Request output to changers                      | "Lo": Request   |
| 43  | CH-CON    | O   | Changer control                                 | "Lo": Standby / "Hi": ON  |
| 44  | N.C       | O   | Not used  |   |
| 45  | P MUTE    | O   | Power IC mute control                           | "Lo": Mute  |
| 46  | SVR       | O   | Power IC reset terminal                         | When the momentary power down, after ACC OFF/ON is detected and after POWER ON/OFF, the output goes "Hi" temporarily. |
| 47  | STBY      | O   | Power IC standby control output                 | "Hi": POWER ON mode   |
| 48  | P CON     | O   | Power control                                   | "Hi": POWER ON mode except ALL OFF mode   |
| 49  | P ANT     | O   | Antenna control                                 | "Hi": during FM/AM reception  |
| 50  | BEEP      | O   | BEEP sound output                               |   |
| 51  | ACC DET   | I   | ACC detection input                             | "Hi": ACC OFF / "Lo": ACC ON  |
| 52  | BU DET    | I   | Momentary power down detection input            | "Hi": When momentary power down detected or BU OFF / "Lo": BU ON  |
| 53  | N.C       | O   | Not used  |   |

# KDC-216S/2018

## MICROCOMPUTER'S TERMINAL DESCRIPTION

| Pin | Function | I/O | Description   | Processing Operation                             |
|-----|----------|-----|---|--|
| 54  | N.C      | O   | Not used  |  |
| 55  | N.C      | O   | Not used  |  |
| 56  | SW5      | O   | SW 5V control   | "Lo": POWER ON mode                              |
| 57  | P ON     | O   | Microprocessor peripheral power supply control terminal | "Hi": ACC ON or during CD Loading/Eject          |
| 58  | TYPE2    | I   | Destination type input terminal 2                       |  |
| 59  | N.C      | O   | Not used  |  |
| 60  | RESET    | I   | Reset input terminal                                    | "Lo": System reset                               |
| 61  | REMO     | I   | Data input from the remote control light sensor         |  |
| 62  | R CLK    | I   | Clock input from RDS decoder                            |  |
| 63  | CH-REQC  | I   | Request input from changers                             | "Hi": Request                                    |
| 64  | SW1      | I   | Loading detection                                       | "Lo": CD chucking                                |
| 65  | KEY-REQ  | I   | Key request terminal                                    | "Lo": Request                                    |
| 66  | SW2      | I   | 12cm disc detection terminal                            | "Lo": 12cm disc                                  |
| 67  | VSS0     | -   | Ground connection terminal                              | connected to GND                                 |
| 68  | VDD1     | -   | VDD connection terminal                                 |  |
| 69  | X2       | -   | Main clock resonator connection terminal                |  |
| 70  | X1       | I   | Main clock resonator connection terminal                |  |
| 71  | IC(TEST) | -   | Not used  | connected to GND                                 |
| 72  | XT2      | -   | Sub clock resonator connection terminal                 | N.C.   |
| 73  | N.C      | I   | Sub clock resonator connection terminal                 | connected to BU5V lines                          |
| 74  | VDD0     | -   | VDD connection terminal                                 |  |
| 75  | AVREF0   | I   | A/D converter reference voltage input                   |  |
| 76  | SMETER   | I   | S-meter input from the tuner pack                       |  |
| 77  | PHONE    | I   | PHONE detection input                                   | 1V or less: TEL MUTE, 2.5V or greater: NAVI MUTE |
| 78  | NOISE    | I   | Noise detection input                                   |  |
| 79  | TYPE0    | I   | Destination type input terminal 0                       |  |
| 80  | TYPE1    | I   | Destination type input terminal 1                       |  |

# KDC-216S/2018

## ADJUSTMENT

### Test Mode

#### 1. How to enter test mode

While holding the FM key and preset 6 key, reset the unit. All display segments light up when the test mode is entered.

#### 2. How to exit from test mode

Reset the unit. The test mode is not terminated by turning ACC off, power off, momentary power down or panel detaching.

#### 3. Test mode specifications of CD receiver

- Pressing the Track Up key jumps to tracks in the following sequence:  
No.9→No.15→No.10→No.11→No.12→No.13→No.14→No.9 (Repeats the cycle)
- Pressing the Track Down key jumps to the track immediately before the track being played.
- Pressing Preset 1 key jumps to track No. 28.
- Forced ejection is not provided.

#### 4. Test mode specifications of cassette receiver

- Blank skip (B.S) is off.
- Pressing the ATT key ejects the cassette.

#### 5. Audio functions

- Pressing the AUDIO key or the OPEN/CLOSE key on the remote controller initiates the Audio mode.
- In the Audio adjustment mode, the Seek Up/Down keys on the remote controller can only be pressed shortly. (They cannot be held depressed.)
- The volume is -10 dB (which is displayed as "30").
- LOUDNESS is OFF.
- The Bass/Treble Up/Down and Balance/Fader Up/Down buttons function as full-boost/full-cut and full-front/full-rear respectively.

#### 6. Menu mode

- Pressing the CLK or the DNPP key on the remote controller initiates the Menu mode.
- In the Menu mode, the Seek Up/Down keys on the remote controller can only be pressed shortly. (They cannot be held depressed.)
- With the models incorporating RDS, the first operation in the menu becomes local seek.

#### 7. Version and operating hours display

- The following table shows the key operations and resulting display information.

| Key Operation     | Display                                      |
|-------------------|--|
| Pressing Preset 1 | Version (Date and time display)              |
| Pressing Preset 3 | CD (or TAPE with C/R models) operating hours |
| Pressing Preset 5 | CD (or TAPE with C/R models) ejection count  |

- Holding Preset 3 while the operating hour information is displayed clears it.
- Holding Preset 5 while the ejection count information is displayed clears it.

### Adjustment Mode

#### Adjustable items

- Stereo Decoder Subaddress: 9
- Configuration Subaddress: D

#### Default values

If they are not written in the EEPROM, the default values specified by the IC developer are set in IC2-3.

#### Adjustment procedure

- Enter the IC2-3 Adjustment mode by resetting the unit while holding [3] + [6].
- Select the TUNER source by pressing SRC.
- When the adjustment mode is entered, the display shows a 2-digit hex number.
- When preset [1] or [2] is recalled, the setting values corresponding to the pressed number are displayed. (The displayed values are those in the RAM.)
- Vary each setting value using [◀] or [▶].
- Store the values in the corresponding preset number.
- The settings can be performed individually for each item. (It is not required to store all the values together.)
- After storing the values, reset the unit to exit from the adjustment mode. The values set in the EEPROM will be read during the resetting.
- When the band is switched, there may be cases in which the preset number being displayed does not coincide with the stored setting value. To check this, be sure to recall the preset number after you switch the band.

### Notes

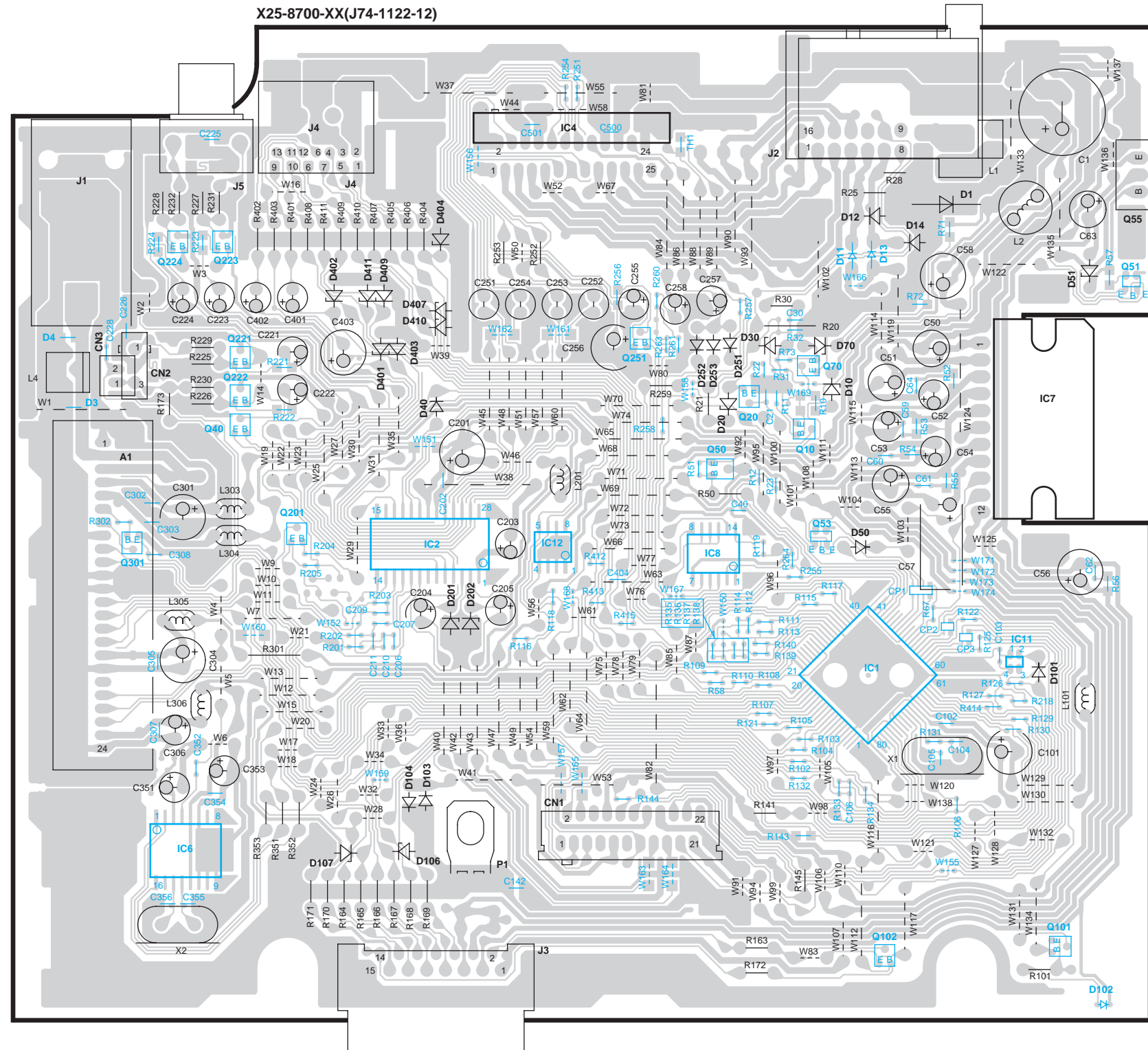
- The items which are not stored will be set to the default values.
- Once a value is stored in memory, the value will always be used later. (It is not allowed to modify the setting values by switching the destination type.)

# PC BOARD (Component Side View)

## ELECTRIC UNIT

ELECTRIC UNIT  
(X25-8700-XX)

| Ref. NO. | IC | Q | Address |
|----------|----|---|---------|
| 1        |    |   | 5F      |
| 2        |    |   | 4C      |
| 4        |    |   | 2D      |
| 6        |    |   | 5B      |
| 7        |    |   | 3F      |
| 8        |    |   | 4E      |
| 11       |    |   | 5F      |
| 12       |    |   | 4D      |
| 10       |    |   | 3E      |
| 20       |    |   | 3E      |
| 40       |    |   | 3C      |
| 50       |    |   | 4E      |
| 51       |    |   | 3G      |
| 53       |    |   | 4E      |
| 55       |    |   | 2G      |
| 70       |    |   | 3E      |
| 101      |    |   | 6F      |
| 102      |    |   | 6F      |
| 201      |    |   | 4C      |
| 221      |    |   | 3C      |
| 222      |    |   | 3C      |
| 223      |    |   | 2B      |
| 224      |    |   | 2B      |
| 251      |    |   | 3D      |
| 301      |    |   | 4B      |

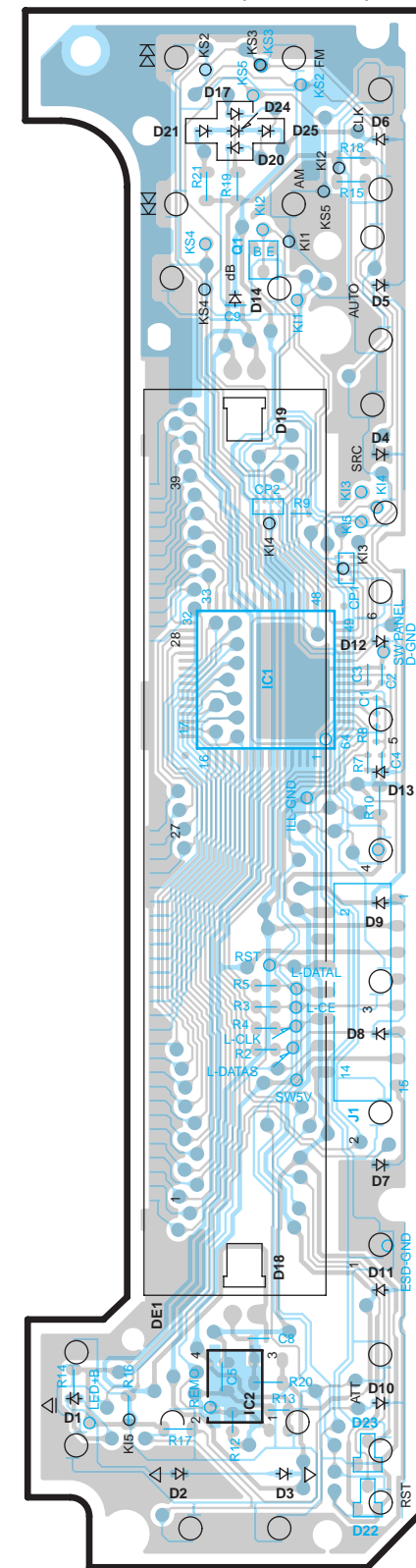


## SWITCH UNIT

X13-9880-13(J74-1113-12)

SWITCH UNIT  
(X13-9880-13)

| Ref. NO. | IC | Q | Address |
|----------|----|---|---------|
| 1        |    |   | 4H      |
| 2        |    |   | 6H      |
| 301      |    |   | 2H      |



Refer to the schematic diagram for the values of resistors and capacitors.

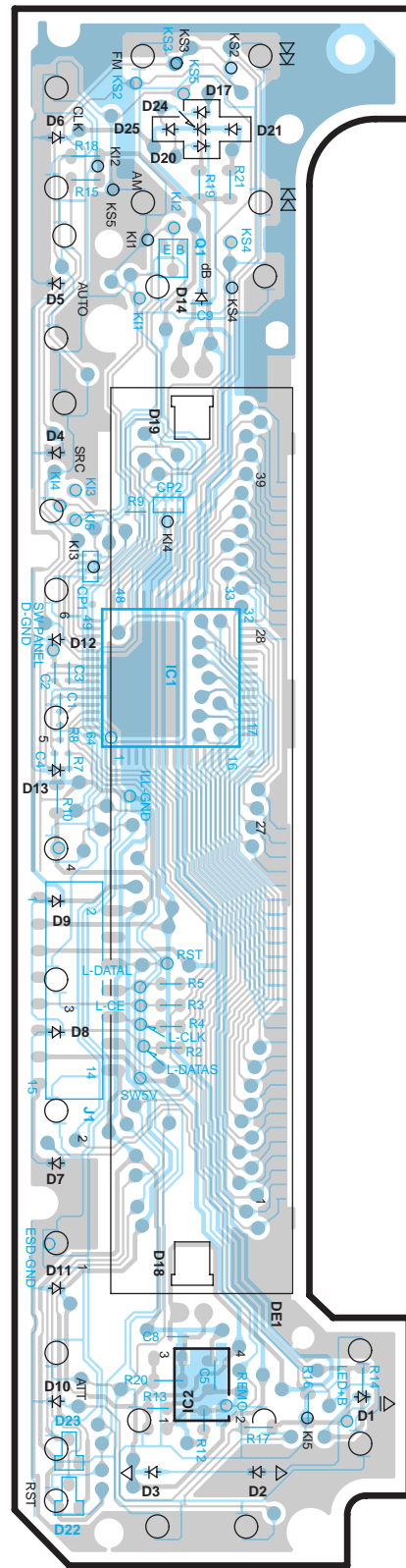
# PC BOARD (Foil Side View)

## SWITCH UNIT

X13-9880-13(J74-1113-12)

SWITCH UNIT  
(X13-9880-13)

| Ref. NO. | IC | Q | Address |
|----------|----|---|---------|
| 1        |    |   | 4K      |
| 2        |    |   | 6K      |
| 301      |    |   | 2K      |

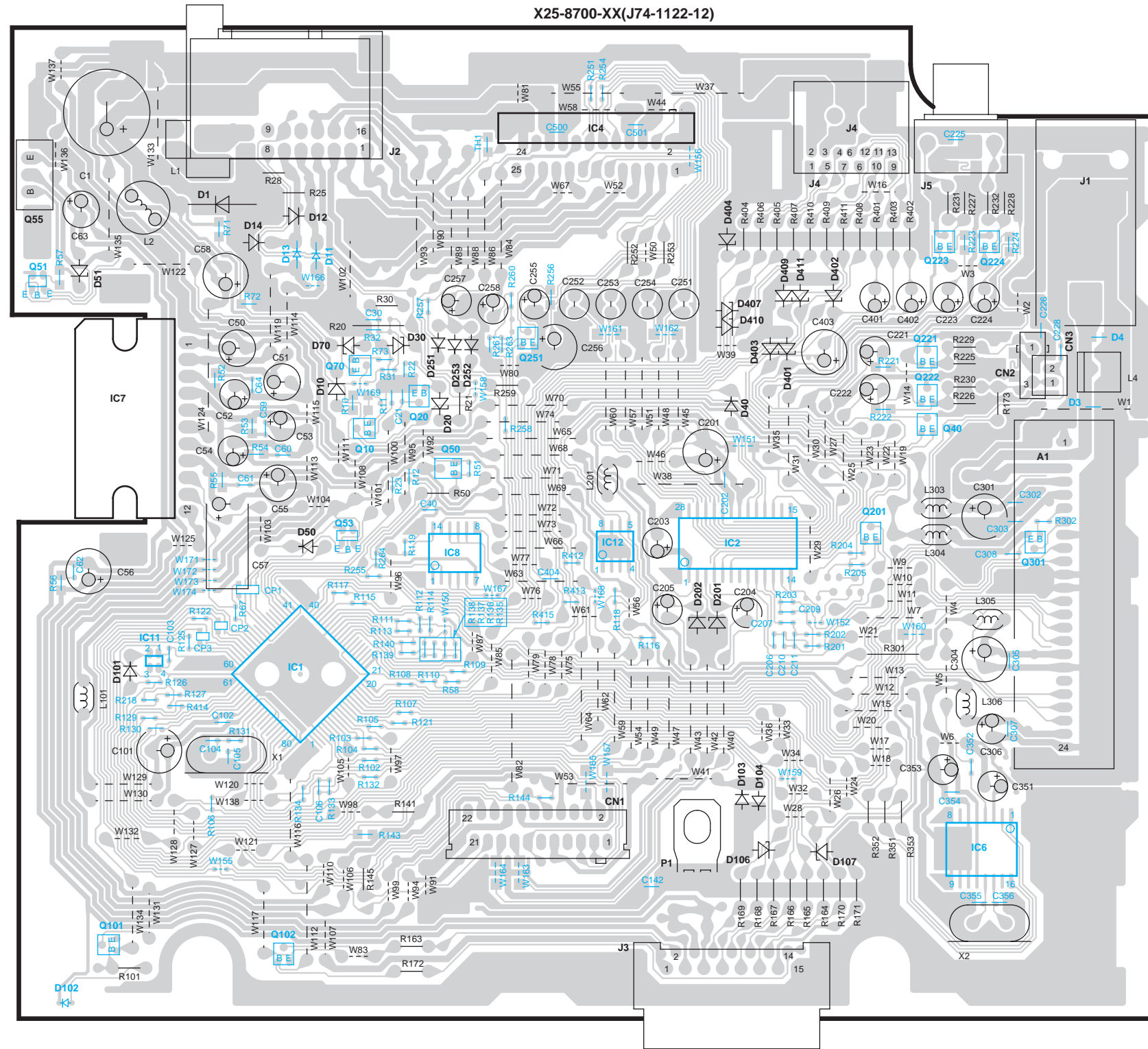


## ELECTRIC UNIT

X25-8700-XX(J74-1122-12)

ELECTRIC UNIT  
(X25-8700-XX)

| Ref. NO. | IC | Q | Address |
|----------|----|---|---------|
| 1        |    |   | 5M      |
| 2        |    |   | 4P      |
| 4        |    |   | 2O      |
| 6        |    |   | 5Q      |
| 7        |    |   | 3M      |
| 8        |    |   | 4N      |
| 11       |    |   | 5M      |
| 12       |    |   | 4O      |
| 10       |    |   | 3N      |
| 20       |    |   | 3N      |
| 40       |    |   | 3P      |
| 50       |    |   | 4N      |
| 51       |    |   | 3L      |
| 53       |    |   | 4N      |
| 55       |    |   | 2L      |
| 70       |    |   | 3N      |
| 101      |    |   | 6M      |
| 102      |    |   | 6M      |
| 201      |    |   | 4P      |
| 221      |    |   | 3P      |
| 222      |    |   | 3P      |
| 223      |    |   | 2Q      |
| 224      |    |   | 2Q      |
| 251      |    |   | 3O      |
| 301      |    |   | 4Q      |



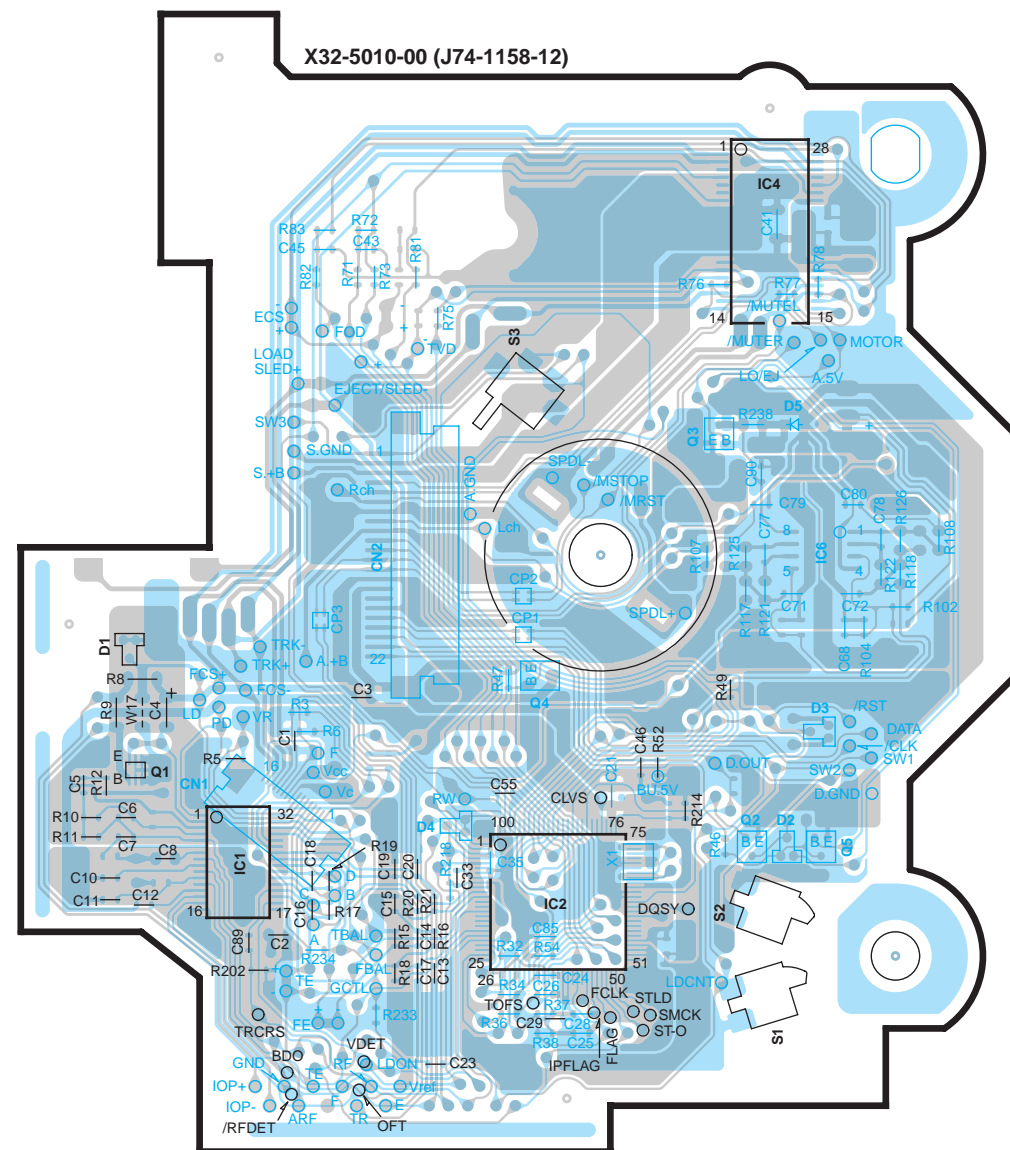
Refer to the schematic diagram for the values of resistors and capacitors.

# PC BOARD (Component Side View)

## CD PLAYER UNIT

CD PLAYER UNIT  
(X32-5010-00)

| Ref. NO. | IC | Q | Address |
|----------|----|---|---------|
| 1        |    |   | 4T      |
| 2        |    |   | 4U      |
| 4        |    |   | 2V      |
| 6        |    |   | 3V      |
|          | 1  |   | 4T      |
|          | 2  |   | 4V      |
|          | 3  |   | 3V      |
|          | 4  |   | 4U      |
|          | 5  |   | 4V      |



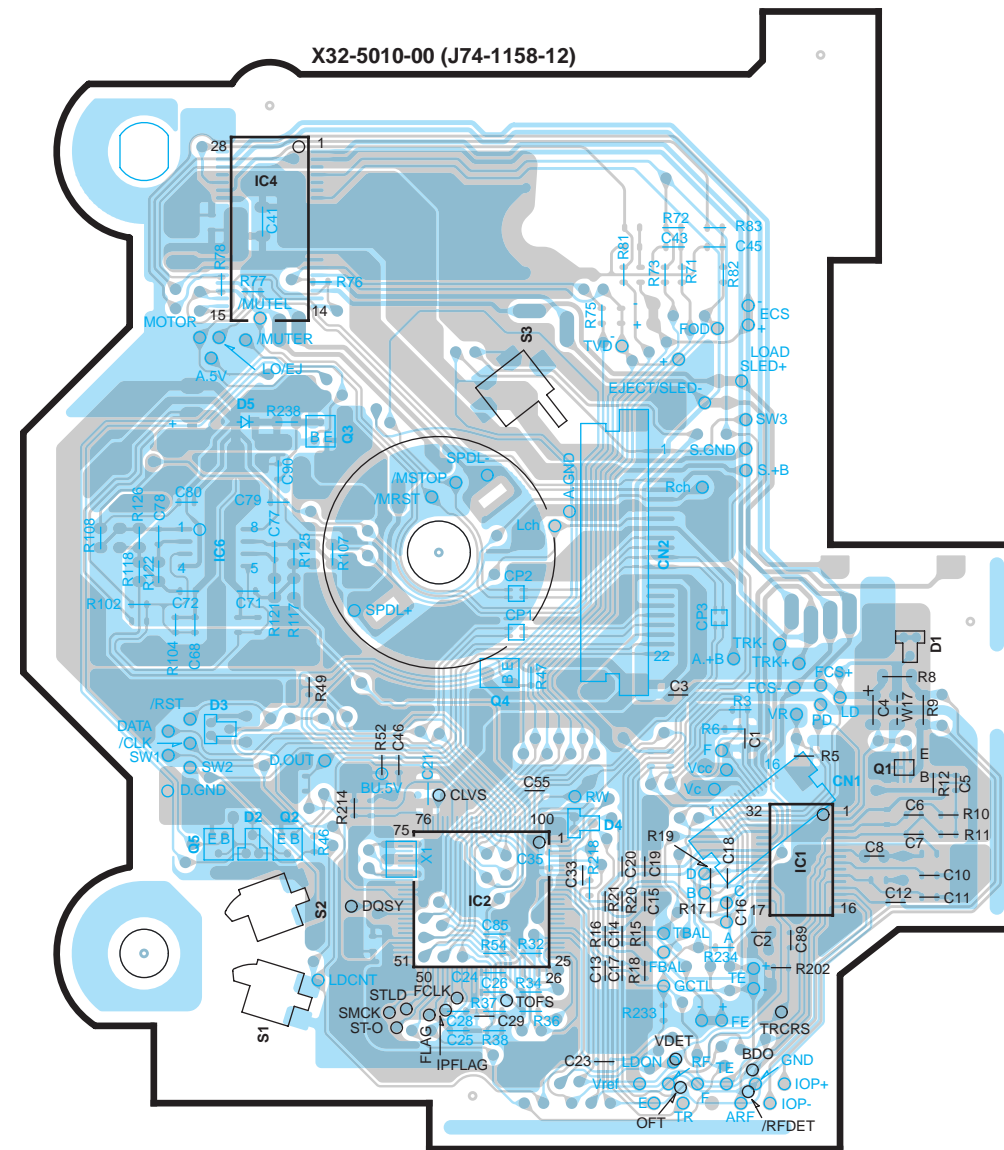
# PC BOARD (Foil Side View)

## CD PLAYER UNIT

X32-5010-00 (J74-1158-12)

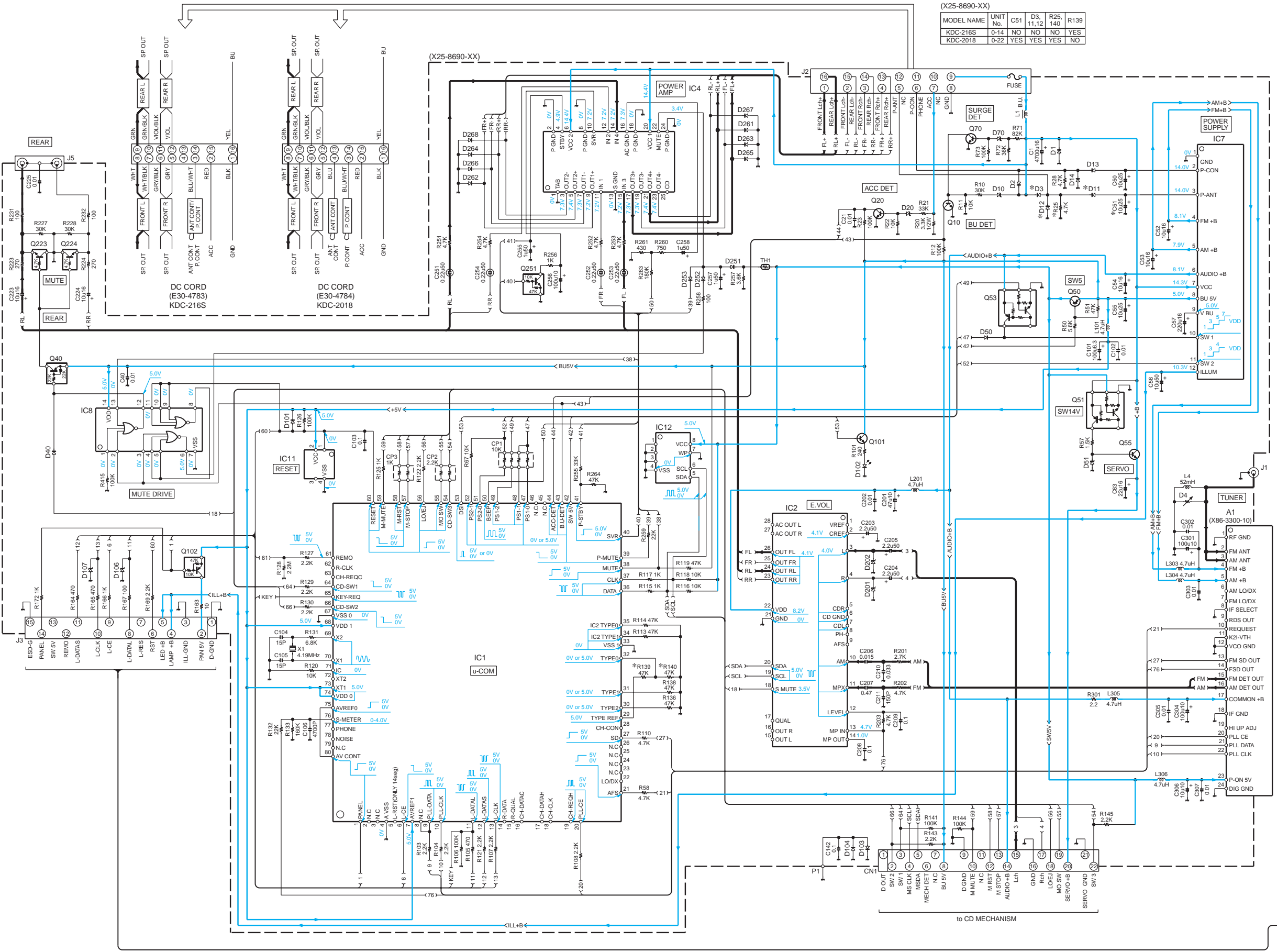
CD PLAYER UNIT  
(X32-5010-00)

| Ref. NO. | IC | Q | Address |
|----------|----|---|---------|
| 1        |    |   | 4Z      |
| 2        |    |   | 4Y      |
| 4        |    |   | 2X      |
| 6        |    |   | 3X      |
|          | 1  |   | 4Z      |
|          | 2  |   | 4X      |
|          | 3  |   | 3X      |
|          | 4  |   | 4Y      |
|          | 5  |   | 4X      |



Refer to the schematic diagram for the values of resistors and capacitors.



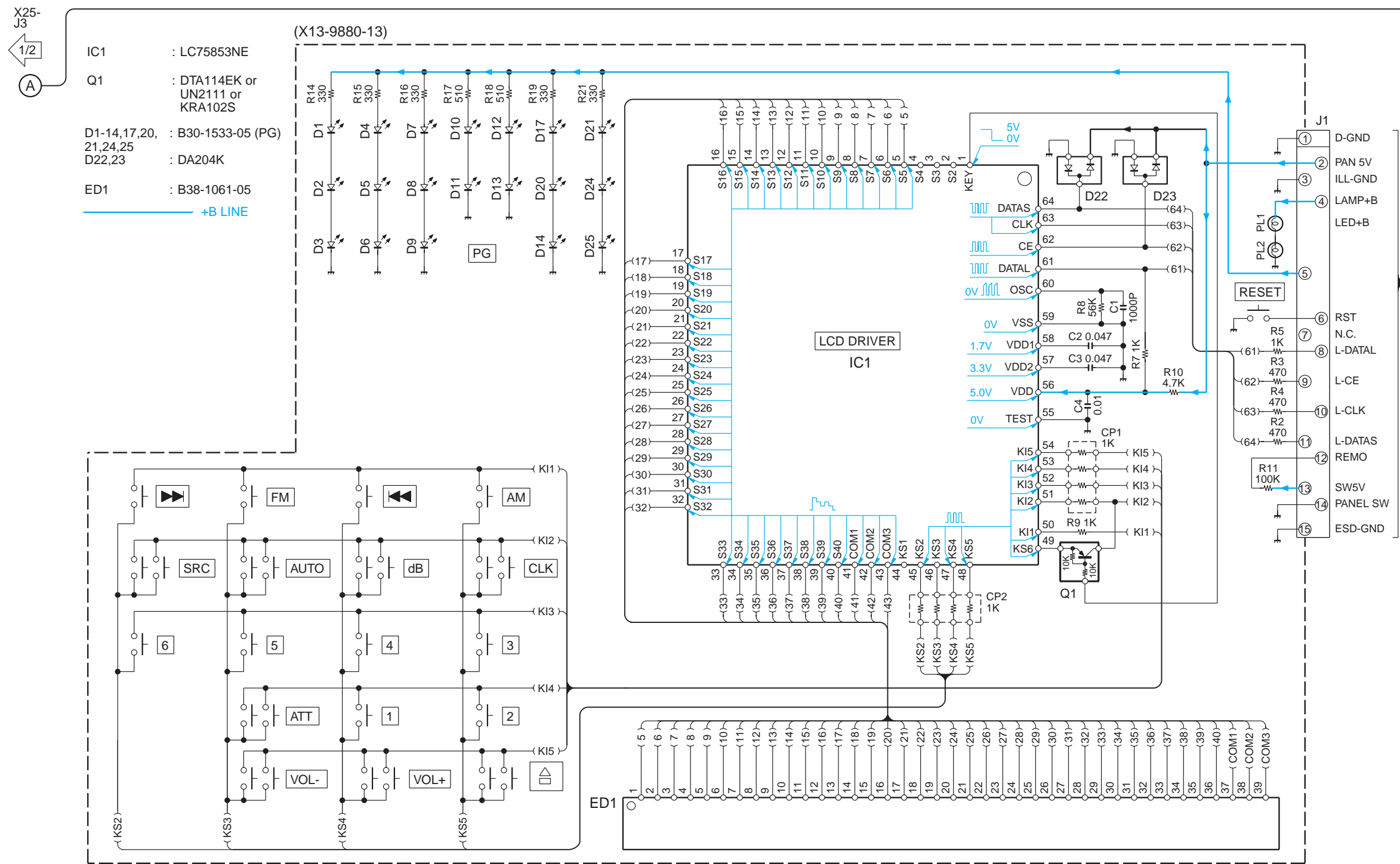


(X25-8690-XX)

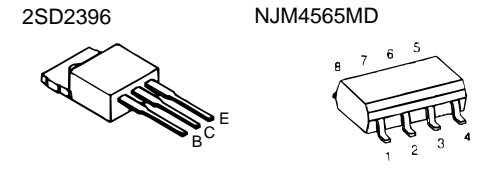
| MODEL NAME | UNIT No. | C51 | D3, 11, 12 | R25, 140 | R139 |
|------------|----------|-----|------------|----------|------|
| KDC-216S   | 0-14     | NO  | NO         | YES      | NO   |
| KDC-2018   | 0-22     | YES | YES        | YES      | NO   |

- IC1 : UPD78058GC232
  - IC2 : TDA7470
  - IC4 : TDA7386
  - IC7 : BA4911-V4
  - IC8 : HD74HC27FP
  - IC11 : S-80830ANFP
  - IC12 : BR24CO1AF
- D1 : S2V20\*4
  - D2,3,4,5,10,11,103,104,251-253 : DSM1S2 or ERA15-02
  - D4 : S1S133
  - D10,20,70,201,202,401 : SA-C2012-101TB or IMSA-6801
  - D11-14,261-263,265,266 : MA4068(N)-M
  - D51 : MA4082(N)-L or DSM1S2 or ERA15-02
  - D102 : HZS9A1L
  - D106,107 : B30-1567-05
  - D264,267,268 : MA4062-L or HZS6C1
  - Q10,20,70,101 : 2SC4081 or 2SD1819A
  - Q40 : DT1124EUA or UN5112
  - Q50 : 2SA1036K
  - Q51,53 : UMC2N
  - Q55 : 2SD2375 or 2SD2396
  - Q102 : DTA114YUA or UN5114
  - Q223,224 : DTC143TUA or UN5216
  - Q251 : DTC114YUA or UN5214

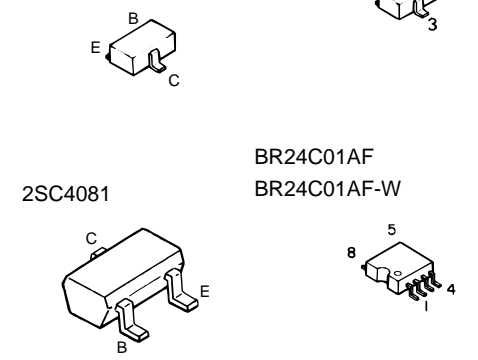
— SIGNAL LINE  
 — +B LINE



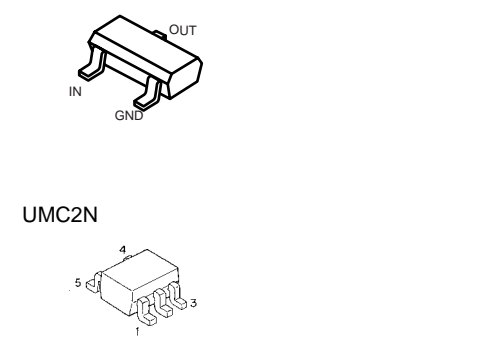
- IC1 : LC75853NE
- Q1 : DTA114EK or UN2111 or KRA102S
- D1-14,17,20, 21,24,25 : B30-1533-05 (PG)
- D22,23 : DA204K
- ED1 : B38-1061-05



- DTA114EK
- DTC114YUA
- DTC143TUA
- UN5114
- UN5214
- UN5216
- 2SA1036K
- 2SA1362
- 2SD1819A
- DAN202U
- DA204K
- DA204U
- DTA114YUA



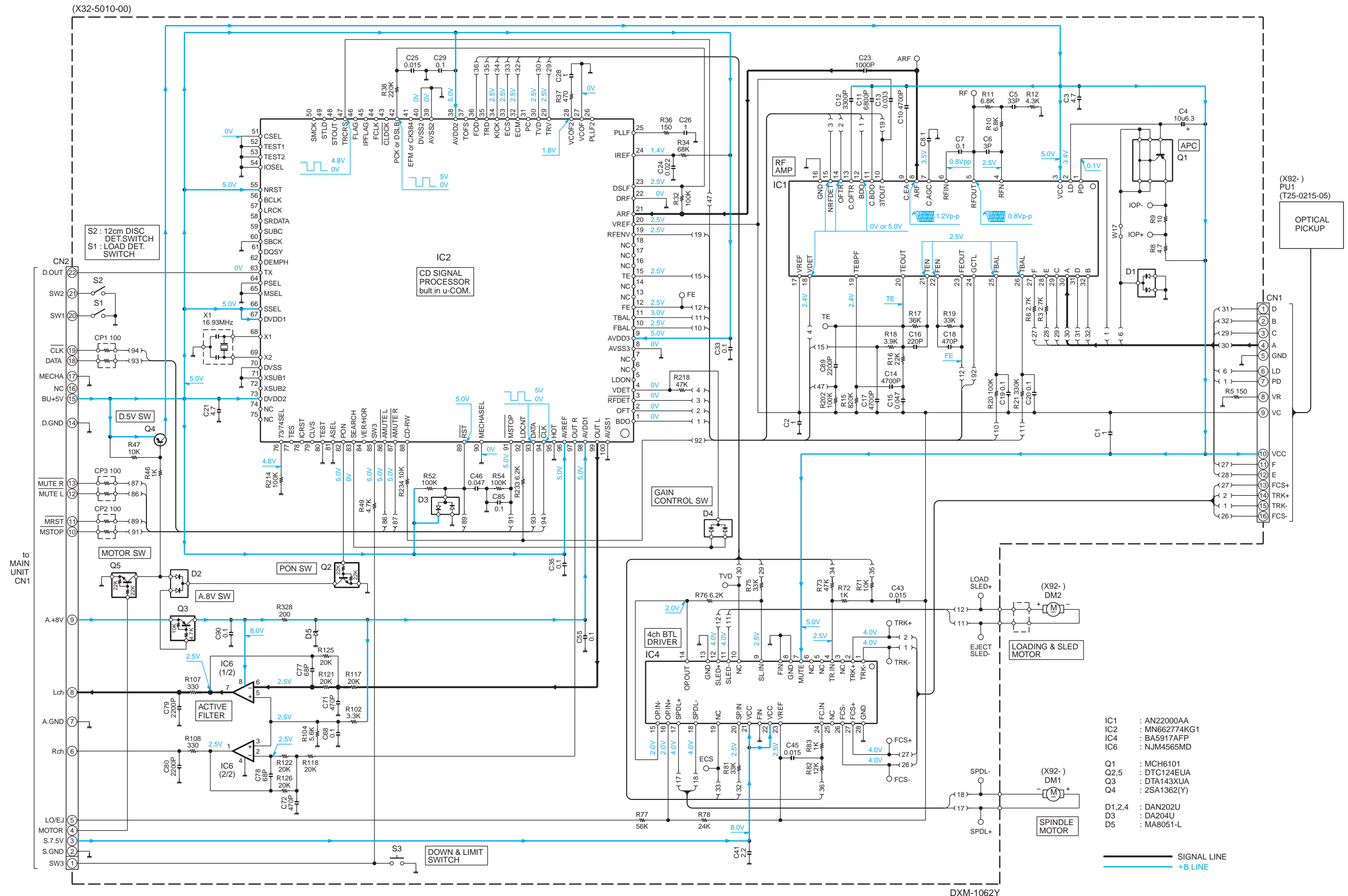
- DTA124EUA
- DTC124EUA
- KRA102S
- BA5917AFP



- UMC2N

**CAUTION:**For continued safety, replace safety critical components only with manufacturer's recommended parts (refer to, parts list). ⚠ Indicates safety critical components. To reduce the risk of electric shock, leakage-current or resistance measurements shall be carried out (exposed parts are acceptably insulated from the supply circuit) before the appliance is returned to the customer.

DC voltages are as measured with a high impedance voltmeter. Values may vary slightly due to variations between individual instruments or/and units.



**CAUTION:**For continued safety, replace safety critical components only with manufacturer's recommended parts (refer to, parts list). ⚠ Indicates safety critical components. To reduce the risk of electric shock, leakage-current or resistance measurements shall be carried out (exposed parts are acceptably insulated from the supply circuit) before the appliance is returned to the customer.

DC voltages are as measured with a high impedance voltmeter. Values may vary slightly due to variations between individual instruments or/and units.

CD MECHANISM

KDC-216S/2018

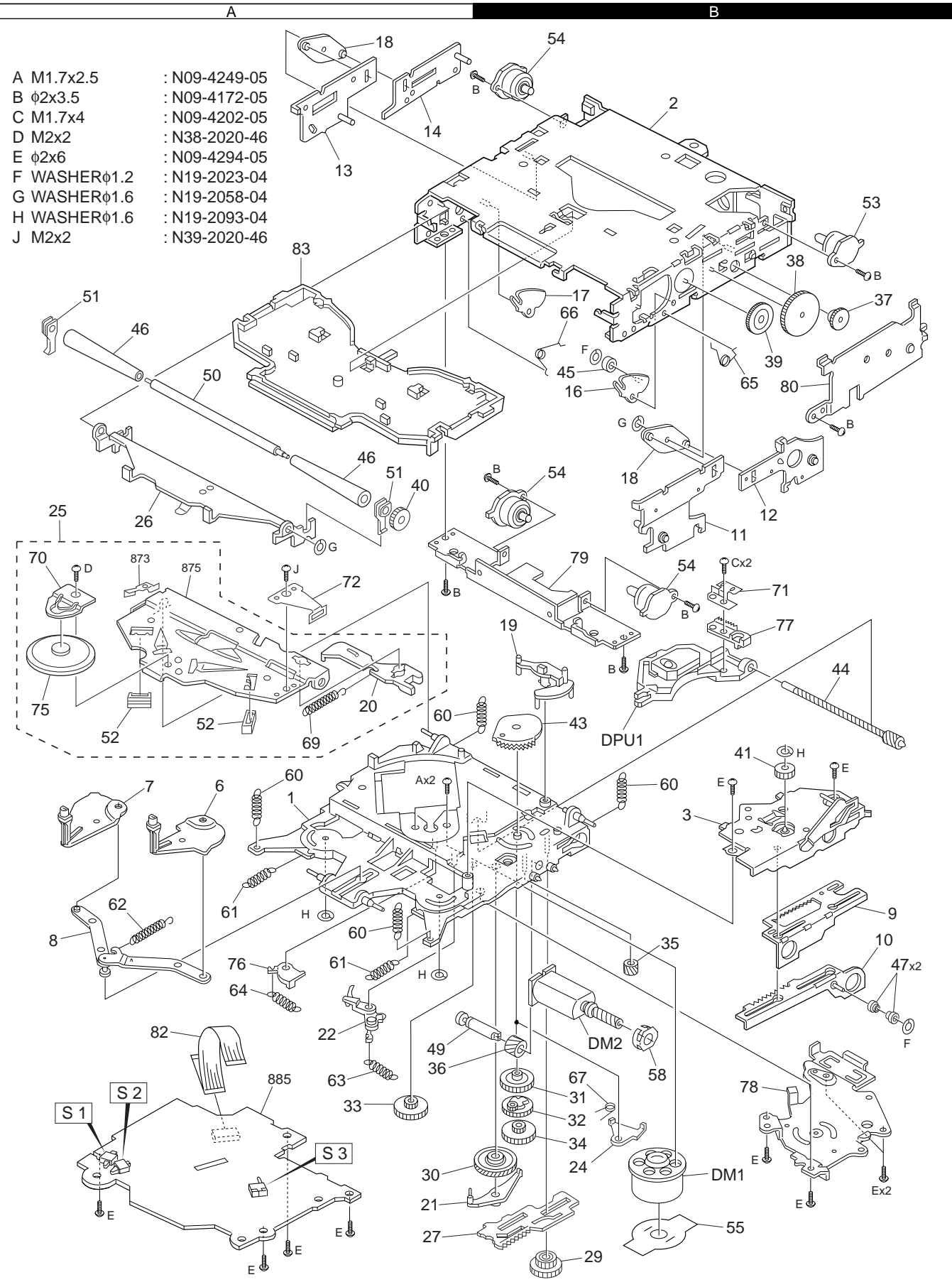
KENWOOD

1  
2  
3  
4  
5  
6  
7

# KDC-216S/2018

## EXPLODED VIEW (CD MECHANISM)

- A M1.7x2.5 : N09-4249-05
- B  $\phi 2 \times 3.5$  : N09-4172-05
- C M1.7x4 : N09-4202-05
- D M2x2 : N38-2020-46
- E  $\phi 2 \times 6$  : N09-4294-05
- F WASHER $\phi 1.2$  : N19-2023-04
- G WASHER $\phi 1.6$  : N19-2058-04
- H WASHER $\phi 1.6$  : N19-2093-04
- J M2x2 : N39-2020-46

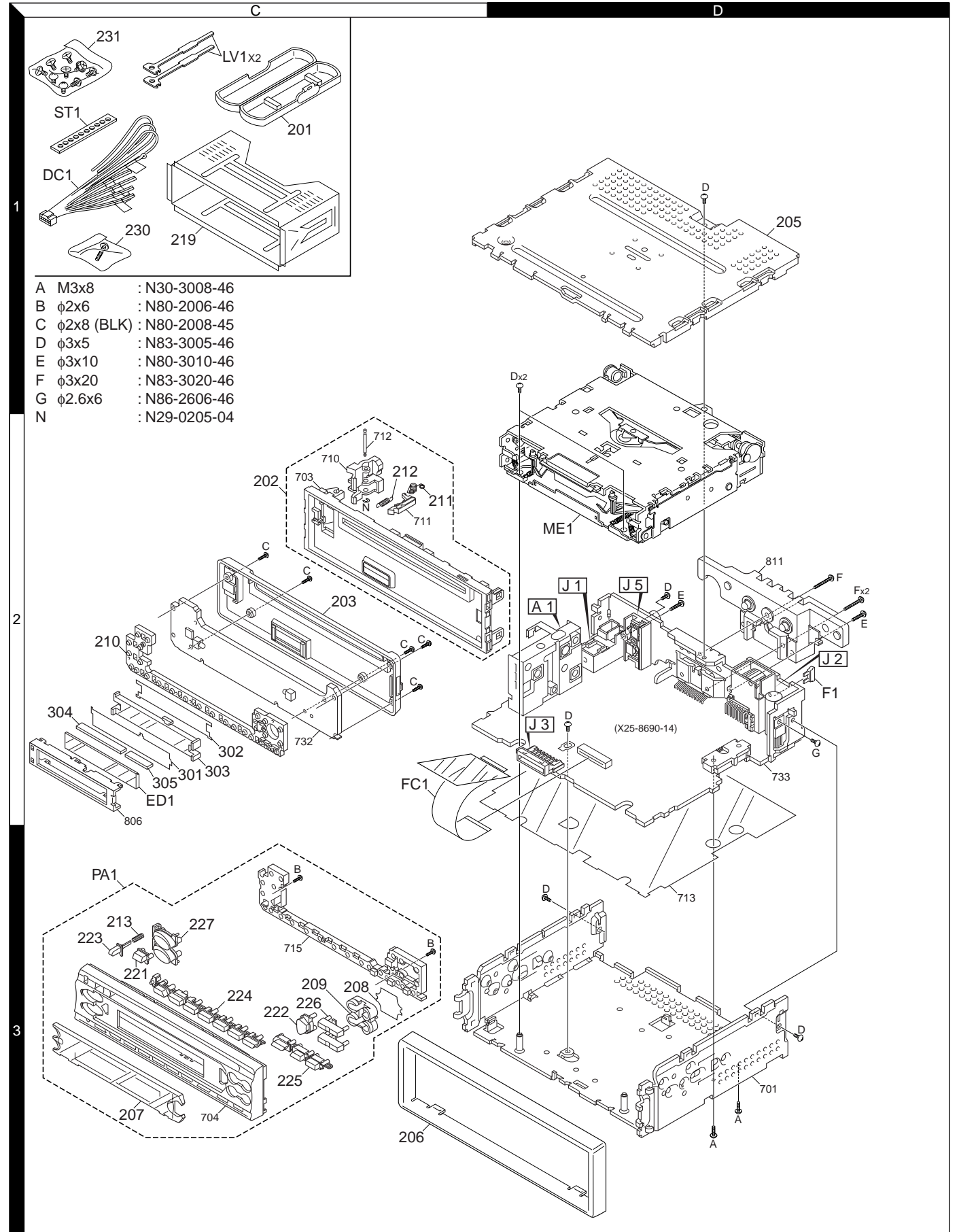


Parts with exploded numbers larger than 700 are not supplied.

# KDC-216S/2018

## EXPLODED VIEW (UNIT)

- A M3x8 : N30-3008-46
- B  $\phi 2 \times 6$  : N80-2006-46
- C  $\phi 2 \times 8$  (BLK) : N80-2008-45
- D  $\phi 3 \times 5$  : N83-3005-46
- E  $\phi 3 \times 10$  : N80-3010-46
- F  $\phi 3 \times 20$  : N83-3020-46
- G  $\phi 2.6 \times 6$  : N86-2606-46
- N : N29-0205-04



Parts with exploded numbers larger than 700 are not supplied.

## PARTS LIST

\* New Parts

Parts without Parts No. are not supplied.

Les articles non mentionnes dans le Parts No. ne sont pas fournis.

Teile ohne Parts No. werden nicht geliefert.

KDC-216S/2018

SWITCH UNIT(X13-9880-13)  
ELECTRIC UNIT(X25-8690-XX)

| Ref.No.              | A<br>d<br>d | N<br>e<br>w | Parts No.   | Description                   | Dest<br>inati<br>on |
|----------------------|-------------|-------------|-------------|-------------------------------|---------------------|
| <b>KDC-216S/2018</b> |             |             |             |                               |                     |
| 201                  | 1C          |             | A02-1486-13 | PLASTIC CABINET ASSY          |                     |
| 202                  | 2C          |             | A22-2863-03 | SUB PANEL ASSY                |                     |
| 203                  | 2C          |             | A46-1694-01 | REAR COVER                    |                     |
| 205                  | 1D          |             | A52-0783-02 | TOP PLATE                     |                     |
| PA1                  | 3C          | *           | A64-2202-02 | PANEL ASSY                    | K4                  |
| PA1                  | 3C          | *           | A64-2209-02 | PANEL ASSY                    | M                   |
| 206                  | 3C          |             | B07-3001-02 | ESCUTCHEON                    | K4,M                |
| 207                  | 3C          |             | B10-3294-01 | FRONT GLASS                   | K4                  |
| 207                  | 3C          |             | B10-3297-01 | FRONT GLASS                   | M                   |
| 208                  | 3C          | *           | B11-1345-04 | OPTICAL DIFFUSER              |                     |
| 209                  | 3C          |             | B19-2076-03 | LIGHTING BOARD                |                     |
| -                    |             |             | B46-0100-50 | WARRANTY CARD                 |                     |
| -                    |             |             | B46-0606-04 | ID CARD                       |                     |
| -                    |             |             | B58-1344-04 | CAUTION CARD                  | K4                  |
| -                    |             | *           | B64-1830-00 | INSTRUCTION MANUAL            | K4                  |
| -                    |             | *           | B64-1831-00 | INSTRUCTION MANUAL E,T        | M                   |
| -                    |             | *           | B64-1832-00 | INSTRUCTION MANUAL A          | M                   |
| LV1                  | 1C          |             | D10-4589-04 | LEVER                         |                     |
| 210                  | 2C          |             | E29-1830-02 | CONDUCTIVE RUBBER             |                     |
| △ DC1                | 1C          |             | E30-4783-05 | DC CORD                       | K4                  |
| DC1                  | 1C          |             | E30-4784-05 | DC CORD                       | M                   |
| FC1                  | 2C          |             | E39-0343-05 | FLAT CABLE                    |                     |
| △ F1                 | 2D          |             | F52-0006-05 | FUSE(MINI BLADE TYPE)         |                     |
| △ F1                 | 2D          |             | F52-0011-05 | FUSE(MINI BLADE TYPE)         |                     |
| 211                  | 2C          |             | G01-2987-04 | TORSION COIL SPRING           |                     |
| 212                  | 2C          |             | G01-2988-04 | EXTENSION SPRING              |                     |
| 213                  | 3C          |             | G01-2990-04 | COMPRESSION SPRING            |                     |
| -                    |             |             | H10-4740-02 | POLYSTYRENE FOAMED FIXTURE    |                     |
| -                    |             |             | H25-0329-04 | PROTECTION BAG (280X450X0.03) |                     |
| -                    |             |             | H25-0337-04 | PROTECTION BAG (180X300X0.03) |                     |
| -                    |             | *           | H54-1896-03 | ITEM CARTON CASE              | K4                  |
| -                    |             | *           | H54-1899-03 | ITEM CARTON CASE              | M                   |
| 219                  | 1C          |             | J21-9641-03 | MOUNTING HARDWARE ASSY        |                     |
| ST1                  | 1C          |             | J54-0606-04 | STAY                          |                     |
| 221                  | 3C          |             | K24-3653-04 | KNOB EJ                       |                     |
| 222                  | 3C          |             | K24-3652-04 | KNOB Q                        |                     |
| 223                  | 3C          |             | K24-3665-04 | KNOB RELEASE                  |                     |
| 224                  | 3C          |             | K25-1253-03 | KNOB 1-6                      |                     |
| 225                  | 3C          |             | K25-1254-03 | KNOB CLK                      |                     |
| 226                  | 3C          |             | K25-1255-03 | KNOB FM/AM                    |                     |
| 227                  | 3C          |             | K25-1256-03 | KNOB VOL                      |                     |
| 230                  | 1C          |             | N99-1610-15 | SCREW SET                     | K4,M                |
| 231                  | 1C          |             | N99-1632-05 | SCREW SET                     |                     |
| A                    | 3D          |             | N30-3008-46 | PAN HEAD MACHINE SCREW        |                     |
| B                    | 3C          |             | N80-2006-46 | PAN HEAD TAPTITE SCREW        |                     |
| C                    | 3C          |             | N80-2008-45 | PAN HEAD TAPTITE SCREW        |                     |
| D                    | 1D          |             | N83-3005-46 | PAN HEAD TAPTITE SCREW        |                     |
| N                    | 2C          |             | N29-0205-04 | RETAINING RING (1.5φ)         |                     |
| ME1                  | 2C          |             | X92-4130-00 | MECHANISM ASSY                |                     |

| Ref.No.                            | A<br>d<br>d | N<br>e<br>w | Parts No.     | Description          | Dest<br>inati<br>on |
|------------------------------------|-------------|-------------|---------------|----------------------|---------------------|
| <b>SWITCH UNIT (X13-9880-13)</b>   |             |             |               |                      |                     |
| 301                                | 3C          |             | B11-1327-04   | OPTICAL DIFFUSER     |                     |
| 302                                | 3C          |             | B11-1328-04   | REFLECTION SHEET     |                     |
| 303                                | 3C          |             | B19-2065-03   | LIGHTING BOARD       |                     |
| D1-14                              |             |             | B30-1533-05   | LED(1608,PG)         |                     |
| D17                                |             |             | B30-1533-05   | LED(1608,PG)         |                     |
| D20,21                             |             |             | B30-1533-05   | LED(1608,PG)         |                     |
| D24,25                             |             |             | B30-1533-05   | LED(1608,PG)         |                     |
| ED1                                |             |             | B38-1061-05   | LIQUID CRYSTAL       |                     |
| PL1,2                              |             |             | B30-1485-05   | LAMP (5.5V 0.125A)   |                     |
| PL1,2                              |             |             | B30-1543-05   | LAMP (GRN 5.5V,0.12) |                     |
| C1                                 |             |             | CK73GB1H102K  | CHIP C 1000PF        | K                   |
| C2,3                               |             |             | CK73GB1E473K  | CHIP C 0.047UF       | K                   |
| C2,3                               |             |             | CK73GB1H473K  | CHIP C 0.047UF       | K                   |
| C4                                 |             |             | CK73GB1H103K  | CHIP C 0.010UF       | K                   |
| 304                                | 3C          |             | E29-1829-04   | CONDUCTIVE RUBBER    |                     |
| 305                                | 3C          |             | E29-1834-04   | CONDUCTIVE RUBBER    |                     |
| J1                                 |             |             | E59-0828-05   | RECTANGULAR PLUG     |                     |
| CP1,2                              |             |             | R90-0724-05   | MULTI-COMP 1K X4     |                     |
| R2-4                               |             |             | RK73FB2A471J  | CHIP R 470 J         | 1/10W               |
| R5                                 |             |             | RK73FB2A102J  | CHIP R 1.0K J        | 1/10W               |
| R7                                 |             |             | RK73GB1J102J  | CHIP R 1.0K J        | 1/16W               |
| R8                                 |             |             | RK73GB1J563J  | CHIP R 56K J         | 1/16W               |
| R9                                 |             |             | RK73GB1J102J  | CHIP R 1.0K J        | 1/16W               |
| R10                                |             |             | RK73EB2B4R7J  | CHIP R 4.7 J         | 1/8W                |
| R13                                |             |             | RK73FB2A470J  | CHIP R 47 J          | 1/10W               |
| R14-16                             |             |             | RK73EB2B331J  | CHIP R 330 J         | 1/8W                |
| R17,18                             |             |             | RK73EB2B511J  | CHIP R 510 J         | 1/8W                |
| R19                                |             |             | RK73EB2B331J  | CHIP R 330 J         | 1/8W                |
| R21                                |             |             | RK73EB2B331J  | CHIP R 330 J         | 1/8W                |
| D22,23                             |             |             | DA204K        | DIODE                |                     |
| IC1                                |             |             | LC75853NE     | MOS-IC               |                     |
| Q1                                 |             |             | DTA114EK      | DIGITAL TRANSISTOR   |                     |
| Q1                                 |             |             | KRA102S       | DIGITAL TRANSISTOR   |                     |
| Q1                                 |             |             | UN2111        | DIGITAL TRANSISTOR   |                     |
| <b>ELECTRIC UNIT (X25-8690-XX)</b> |             |             |               |                      |                     |
| D102                               |             |             | B30-1567-05   | LED(1608,RED)        |                     |
| C1                                 |             |             | C90-2853-05   | ELECTRO 4700UF 16WV  |                     |
| C21                                |             |             | CK73GB1H103K  | CHIP C 0.010UF       | K                   |
| C40                                |             |             | CK73GB1H103K  | CHIP C 0.010UF       | K                   |
| C50,51                             |             |             | CE04CW1E100M  | ELECTRO 10UF 25WV    |                     |
| C52-54                             |             |             | C90-2597-05   | ELECTRO 10UF 16WV    |                     |
| C55                                |             |             | CE04CW1E100M  | ELECTRO 10UF 25WV    |                     |
| C56                                |             |             | CE04CW1H100M  | ELECTRO 10UF 50WV    |                     |
| C57                                |             |             | C90-2926-05   | ELECTRO 220UF 16WV   |                     |
| C63                                |             |             | CE04CW1C220M  | ELECTRO 22UF 16WV    |                     |
| C101                               |             |             | CE04CW0J101M  | ELECTRO 100UF 6.3WV  |                     |
| C102                               |             |             | CK73GB1H103K  | CHIP C 0.010UF       | K                   |
| C103                               |             |             | CK73GB1C104K  | CHIP C 0.10UF        | K                   |
| C103                               |             |             | CK73GB1H104K  | CHIP C 0.10UF        | K                   |
| C104,105                           |             |             | CC73GCH1H150J | CHIP C 15PF          | J                   |
| C106                               |             |             | CK73GB1H472K  | CHIP C 4700PF        | K                   |

K4: KDC-216S M: KDC-2018

△ indicates safety critical components.

# KDC-216S/2018

## PARTS LIST

\* New Parts

Parts without Parts No. are not supplied.

Les articles non mentionnes dans le Parts No. ne sont pas fournis.

Teile ohne Parts No. werden nicht geliefert.

### ELECTRIC UNIT(X25-8690-XX)

| Ref.No.  | A<br>d<br>d | N<br>e<br>w | Parts No.     | Description                   | Dest<br>inati<br>on |
|----------|-------------|-------------|---------------|-------------------------------|---------------------|
| C142     |             |             | CK73GB1C104K  | CHIP C 0.10UF K               |                     |
| C142     |             |             | CK73GB1H104K  | CHIP C 0.10UF K               |                     |
| C201     |             |             | CE04CW1A470M  | ELECTRO 47UF 10WV             |                     |
| C202     |             |             | CK73GB1H103K  | CHIP C 0.010UF K              |                     |
| C203-205 |             |             | C90-2610-05   | ELECTRO 2.2UF 50WV            |                     |
| C206     |             |             | CK73GB1H153K  | CHIP C 0.015UF K              |                     |
| C207     |             |             | CK73GB1A474K  | CHIP C 0.47UF K               |                     |
| C208,209 |             |             | CK73GB1C104K  | CHIP C 0.10UF K               |                     |
| C208,209 |             |             | CK73GB1H104K  | CHIP C 0.10UF K               |                     |
| C210     |             |             | CK73GB1E333K  | CHIP C 0.033UF K              |                     |
| C210     |             |             | CK73GB1H333K  | CHIP C 0.033UF K              |                     |
| C211     |             |             | CC73GCH1H151J | CHIP C 150PF J                |                     |
| C223,224 |             |             | C90-2597-05   | ELECTRO 10UF 16WV             |                     |
| C225     |             |             | CK73GB1H103K  | CHIP C 0.010UF K              |                     |
| C251-254 |             |             | C90-5296-05   | NP-ELECT 0.22UF 50WV          |                     |
| C255     |             |             | C90-2608-05   | ELECTRO 1.0UF 50WV            |                     |
| C256     |             |             | CE04CW1A101M  | ELECTRO 100UF 10WV            |                     |
| C257     |             |             | C90-2608-05   | ELECTRO 1.0UF 50WV            |                     |
| C258     |             |             | C90-2935-05   | ELECTRO 1.0UF 50WV            |                     |
| C301     |             |             | CE04CW1A101M  | ELECTRO 100UF 10WV            |                     |
| C302,303 |             |             | CK73GB1H103K  | CHIP C 0.010UF K              |                     |
| C304     |             |             | CE04CW1A101M  | ELECTRO 100UF 10WV            |                     |
| C305     |             |             | CK73GB1H103K  | CHIP C 0.010UF K              |                     |
| C306     |             |             | C90-2594-05   | ELECTRO 10UF 10WV             |                     |
| C307     |             |             | CK73GB1H103K  | CHIP C 0.010UF K              |                     |
| CN1      |             |             | E40-9550-05   | FLAT CABLE CONNECTOR          |                     |
| J1       |             |             | E04-0312-05   | RF COAXIAL CABLE RECEPTACLE   |                     |
| J2       |             |             | E58-0863-15   | RECTANGULAR RECEPTACLE        |                     |
| J3       |             |             | E58-0879-05   | RECTANGULAR RECEPTACLE        |                     |
| J5       |             |             | E63-0852-05   | PIN JACK                      |                     |
| P1       |             |             | E23-0745-05   | TERMINAL                      |                     |
| L1       |             |             | L33-1170-05   | CHOKE COIL ASSY               |                     |
| L4       |             |             | L33-1123-05   | LINE FILTER COIL              |                     |
| L101     |             |             | L40-4795-91   | SMALL FIXED INDUCTOR(4.7UH,J) |                     |
| L201     |             |             | L40-4795-91   | SMALL FIXED INDUCTOR(4.7UH,J) |                     |
| L303-306 |             |             | L40-4795-91   | SMALL FIXED INDUCTOR(4.7UH,J) |                     |
| X1       |             |             | L77-1167-05   | CRYSTAL RESONATOR(4.19M)      |                     |
| D        | 2D          |             | N83-3005-46   | PAN HEAD TAPTITE SCREW        |                     |
| E        | 2D          |             | N80-3010-46   | PAN HEAD TAPTITE SCREW        |                     |
| F        | 2D          |             | N83-3020-46   | PAN HEAD TAPTITE SCREW        |                     |
| G        | 2D          |             | N86-2606-46   | BINDING HEAD TAPTITE SCREW    |                     |
| CP1      |             |             | R90-1056-05   | MULTIPLE RESISTOR             |                     |
| CP2      |             |             | R90-1047-05   | MULTIPLE RESISTOR             |                     |
| CP3      |             |             | R90-1046-05   | MULTIPLE RESISTOR             |                     |
| R10      |             |             | RK73FB2A303J  | CHIP R 30K J 1/10W            |                     |
| R11      |             |             | RK73GB1J103J  | CHIP R 10K J 1/16W            |                     |
| R12      |             |             | RK73GB1J104J  | CHIP R 100K J 1/16W           |                     |
| R20      |             |             | RD14DB2H332J  | SMALL-RD 3.3K J 1/2W          |                     |
| R22      |             |             | RK73GB1J103J  | CHIP R 10K J 1/16W            |                     |
| R23      |             |             | RK73GB1J104J  | CHIP R 100K J 1/16W           |                     |
| R51      |             |             | RK73GB1J473J  | CHIP R 47K J 1/16W            |                     |
| R57      |             |             | RK73FB2A152J  | CHIP R 1.5K J 1/10W           |                     |
| R58      |             |             | RK73GB1J472J  | CHIP R 4.7K J 1/16W           |                     |

| Ref.No.  | A<br>d<br>d | N<br>e<br>w | Parts No.      | Description         | Dest<br>inati<br>on |
|----------|-------------|-------------|----------------|---------------------|---------------------|
| R67      |             |             | RK73GB1J103J   | CHIP R 10K J 1/16W  |                     |
| R71      |             |             | RK73FB2A823J   | CHIP R 82K J 1/10W  |                     |
| R72      |             |             | RK73FB2A363J   | CHIP R 36K J 1/10W  |                     |
| R73      |             |             | RK73GB1J104J   | CHIP R 100K J 1/16W |                     |
| R103,104 |             |             | RK73GB1J222J   | CHIP R 2.2K J 1/16W |                     |
| R105     |             |             | RK73GB1J471J   | CHIP R 470 J 1/16W  |                     |
| R106     |             |             | RK73GB1J104J   | CHIP R 100K J 1/16W |                     |
| R107,108 |             |             | RK73GB1J222J   | CHIP R 2.2K J 1/16W |                     |
| R110     |             |             | RK73GB1J472J   | CHIP R 4.7K J 1/16W |                     |
| R113,114 |             |             | RK73GB1J473J   | CHIP R 47K J 1/16W  |                     |
| R115     |             |             | RK73GB1J102J   | CHIP R 1.0K J 1/16W |                     |
| R116     |             |             | RK73GB1J103J   | CHIP R 10K J 1/16W  |                     |
| R117     |             |             | RK73GB1J102J   | CHIP R 1.0K J 1/16W |                     |
| R118     |             |             | RK73GB1J103J   | CHIP R 10K J 1/16W  |                     |
| R119     |             |             | RK73GB1J473J   | CHIP R 47K J 1/16W  |                     |
| R121,122 |             |             | RK73GB1J222J   | CHIP R 2.2K J 1/16W |                     |
| R125     |             |             | RK73GB1J102J   | CHIP R 1.0K J 1/16W |                     |
| R126     |             |             | RK73GB1J104J   | CHIP R 100K J 1/16W |                     |
| R127     |             |             | RK73GB1J222J   | CHIP R 2.2K J 1/16W |                     |
| R128     |             |             | RK73GB1J225J   | CHIP R 2.2M J 1/16W |                     |
| R129,130 |             |             | RK73GB1J222J   | CHIP R 2.2K J 1/16W |                     |
| R131     |             |             | RK73GB1J682J   | CHIP R 6.8K J 1/16W |                     |
| R132     |             |             | RK73GB1J223J   | CHIP R 22K J 1/16W  |                     |
| R133     |             |             | RK73GB1J164J   | CHIP R 160K J 1/16W |                     |
| R136     |             |             | RK73GB1J473J   | CHIP R 47K J 1/16W  | K4                  |
| R138,139 |             |             | RK73GB1J473J   | CHIP R 47K J 1/16W  | K4                  |
| R143     |             |             | RK73FB2A222J   | CHIP R 2.2K J 1/10W |                     |
| R144     |             |             | RK73GB1J104J   | CHIP R 100K J 1/16W |                     |
| R201     |             |             | RK73GB1J272J   | CHIP R 2.7K J 1/16W |                     |
| R202,203 |             |             | RK73GB1J472J   | CHIP R 4.7K J 1/16W |                     |
| R223,224 |             |             | RK73FB2A271J   | CHIP R 270 J 1/10W  |                     |
| R251     |             |             | RK73GB1J472J   | CHIP R 4.7K J 1/16W |                     |
| R254     |             |             | RK73GB1J472J   | CHIP R 4.7K J 1/16W |                     |
| R255     |             |             | RK73GB1J333J   | CHIP R 33K J 1/16W  |                     |
| R256     |             |             | RK73FB2A102J   | CHIP R 1.0K J 1/10W |                     |
| R257     |             |             | RK73GB1J362J   | CHIP R 3.6K J 1/16W |                     |
| R258     |             |             | RK73GB1J101J   | CHIP R 100 J 1/16W  |                     |
| R260     |             |             | RK73GB1J751J   | CHIP R 750 J 1/16W  |                     |
| R261     |             |             | RK73GB1J431J   | CHIP R 430 J 1/16W  |                     |
| R263     |             |             | RK73GB1J184J   | CHIP R 180K J 1/16W |                     |
| R264     |             |             | RK73GB1J473J   | CHIP R 47K J 1/16W  |                     |
| R415     |             |             | RK73GB1J104J   | CHIP R 100K J 1/16W | K4                  |
| W151     |             |             | R92-2053-05    | CHIP R 0 J 1/8W     |                     |
| W152     |             |             | R92-1252-05    | CHIP R 0 OHM        |                     |
| W155     |             |             | R92-1252-05    | CHIP R 0 OHM        |                     |
| W156,157 |             |             | R92-2053-05    | CHIP R 0 J 1/8W     |                     |
| W158,159 |             |             | R92-1252-05    | CHIP R 0 OHM        |                     |
| W160-165 |             |             | R92-2053-05    | CHIP R 0 J 1/8W     |                     |
| W167-169 |             |             | R92-1252-05    | CHIP R 0 OHM        |                     |
| D1       |             |             | S2V20*A        | DIODE               |                     |
| D4       |             |             | IMSA-6801      | SURGE ABSORBER      |                     |
| D4       |             |             | SA-C2012-101TB | SURGE ABSORBER      |                     |
| D10      |             |             | MA4068(N)-M    | ZENER DIODE         |                     |
| D12-14   |             |             | AM01Z          | DIODE               |                     |

K4: KDC-216S M: KDC-2018

△ indicates safety critical components.

## PARTS LIST

\* New Parts

Parts without Parts No. are not supplied.

Les articles non mentionnes dans le Parts No. ne sont pas fournis.

Teile ohne Parts No. werden nicht geliefert.

**ELECTRIC UNIT(X25-8690-XX)**  
**CD PLAYER UNIT(X32-5010-00)**

| Ref.No.                             | A<br>d<br>d | N<br>e<br>w | Parts No.      | Description         | Dest<br>inati<br>on |
|-------------------------------------|-------------|-------------|----------------|---------------------|---------------------|
| D12-14                              |             |             | DSM1SD2        | DIODE               |                     |
| D12-14                              |             |             | ERA15-02       | DIODE               |                     |
| D20                                 |             |             | MA4068(N)-M    | ZENER DIODE         |                     |
| D2,3                                |             |             | 1SS133         | DIODE               |                     |
| D40                                 |             |             | 1SS133         | DIODE               |                     |
| D50                                 |             |             | 1SS133         | DIODE               |                     |
| D51                                 |             |             | HZS9A1L        | ZENER DIODE         |                     |
| D51                                 |             |             | MA4082(N)-L    | ZENER DIODE         |                     |
| D70                                 |             |             | MA4068(N)-M    | ZENER DIODE         |                     |
| D101                                |             |             | 1SS133         | DIODE               |                     |
| D103,104                            |             |             | 1SS133         | DIODE               |                     |
| D106,107                            |             |             | HZS6C1         | ZENER DIODE         |                     |
| D106,107                            |             |             | MA4062-L       | ZENER DIODE         |                     |
| D201,202                            |             |             | MA4068(N)-M    | ZENER DIODE         |                     |
| D251-253                            |             |             | 1SS133         | DIODE               |                     |
| IC1                                 |             |             | UPD780058GC231 | MI-COM IC           |                     |
| IC2                                 |             |             | TDA7407D       | ANALOGUE IC         |                     |
| IC4                                 |             |             | TDA7386        | ANALOGUE IC         |                     |
| IC7                                 |             |             | BA4911-V4      | ANALOGUE IC         |                     |
| IC8                                 |             |             | HD74HC27FP     | MOS-IC              |                     |
| IC11                                |             |             | S-80830ANNP    | MOS-IC              |                     |
| IC12                                |             |             | BR24C01AF      | MEMORY IC           |                     |
| IC12                                |             |             | BR24C01AF-W    | MEMORY IC           |                     |
| IC12                                |             |             | M24C01-WMN6T   | MEMORY IC           |                     |
| IC12                                |             |             | S-24C01B       | MEMORY IC           |                     |
| Q10                                 |             |             | 2SC4081        | TRANSISTOR          |                     |
| Q10                                 |             |             | 2SD1819A       | TRANSISTOR          |                     |
| Q20                                 |             |             | 2SC4081        | TRANSISTOR          |                     |
| Q20                                 |             |             | 2SD1819A       | TRANSISTOR          |                     |
| Q40                                 |             |             | DTA124EUA      | DIGITAL TRANSISTOR  |                     |
| Q40                                 |             |             | UN5112         | DIGITAL TRANSISTOR  |                     |
| Q50                                 |             |             | 2SA1036K       | TRANSISTOR          |                     |
| Q51                                 |             |             | UMC2N          | TRANSISTOR          |                     |
| Q53                                 |             |             | UMC2N          | TRANSISTOR          |                     |
| Q55                                 |             |             | 2SD2375        | TRANSISTOR          |                     |
| Q55                                 |             |             | 2SD2396        | TRANSISTOR          |                     |
| Q70                                 |             |             | 2SC4081        | TRANSISTOR          |                     |
| Q70                                 |             |             | 2SD1819A       | TRANSISTOR          |                     |
| Q101                                |             |             | 2SC4081        | TRANSISTOR          |                     |
| Q101                                |             |             | 2SD1819A       | TRANSISTOR          |                     |
| Q102                                |             |             | DTA114YUA      | DIGITAL TRANSISTOR  |                     |
| Q102                                |             |             | UN5114         | DIGITAL TRANSISTOR  |                     |
| Q223,224                            |             |             | DTC143TUA      | DIGITAL TRANSISTOR  |                     |
| Q223,224                            |             |             | UN5216         | DIGITAL TRANSISTOR  |                     |
| Q251                                |             |             | DTC114YUA      | DIGITAL TRANSISTOR  |                     |
| Q251                                |             |             | UN5214         | DIGITAL TRANSISTOR  |                     |
| TH1                                 |             |             | PTH9C42BE471Q  | POSITIVE RESISTOR   |                     |
| A1                                  | 2D          |             | X86-3300-10    | TUNER UNIT          |                     |
| <b>CD PLAYER UNIT (X32-5010-00)</b> |             |             |                |                     |                     |
| C1,2                                |             |             | CK73FB1C105K   | CHIP C 1.0UF K      |                     |
| C3                                  |             |             | CK73FB0J475K   | CHIP C 4.7UF K      |                     |
| C4                                  |             |             | C92-0566-05    | CHIP-TAN 10UF 6.3WV |                     |
| C5                                  |             |             | CC73GCH1H330J  | CHIP C 33PF J       |                     |
| C6                                  |             |             | CC73GCH1H030C  | CHIP C 3.0PF C      |                     |

| Ref.No. | A<br>d<br>d | N<br>e<br>w | Parts No.     | Description          | Dest<br>inati<br>on |
|---------|-------------|-------------|---------------|----------------------|---------------------|
| C7      |             |             | CK73GB1C104K  | CHIP C 0.10UF K      |                     |
| C8      |             |             | CK73FB1C105K  | CHIP C 1.0UF K       |                     |
| C10     |             |             | CK73GB1H472K  | CHIP C 4700PF K      |                     |
| C11     |             |             | CK73GB1H682K  | CHIP C 6800PF K      |                     |
| C12     |             |             | CK73GB1H332K  | CHIP C 3300PF K      |                     |
| C13     |             |             | CK73GB1C333K  | CHIP C 0.033UF K     |                     |
| C14     |             |             | CK73GB1H472K  | CHIP C 4700PF K      |                     |
| C15     |             |             | CK73GB1C473K  | CHIP C 0.047UF K     |                     |
| C16     |             |             | CC73GCH1H221J | CHIP C 220PF J       |                     |
| C17     |             |             | CK73GB1H472K  | CHIP C 4700PF K      |                     |
| C18     |             |             | CC73GCH1H471J | CHIP C 470PF J       |                     |
| C19,20  |             |             | CK73GB1C104K  | CHIP C 0.10UF K      |                     |
| C21     |             |             | CK73FB0J475K  | CHIP C 4.7UF K       |                     |
| C23     |             |             | CK73GB1H102K  | CHIP C 1000PF K      |                     |
| C24     |             |             | CK73GB1E223K  | CHIP C 0.022UF K     |                     |
| C25     |             |             | CK73GB1H153K  | CHIP C 0.015UF K     |                     |
| C26     |             |             | CK73GB0J105K  | CHIP C 1.0UF K       |                     |
| C28     |             |             | CK73GB0J105K  | CHIP C 1.0UF K       |                     |
| C29     |             |             | CK73GB1C104K  | CHIP C 0.10UF K      |                     |
| C33     |             |             | CK73GB1C104K  | CHIP C 0.10UF K      |                     |
| C35     |             |             | CK73GB1C104K  | CHIP C 0.10UF K      |                     |
| C41     |             |             | CK73EB1C225K  | CHIP C 2.2UF K       |                     |
| C43     |             |             | CK73GB1H153K  | CHIP C 0.015UF K     |                     |
| C45     |             |             | CK73GB1H153K  | CHIP C 0.015UF K     |                     |
| C46     |             |             | CK73GB1C473K  | CHIP C 0.047UF K     |                     |
| C55     |             |             | CK73GB1C104K  | CHIP C 0.10UF K      |                     |
| C68     |             |             | CK73GB1C104K  | CHIP C 0.10UF K      |                     |
| C71,72  |             |             | CK73GB1H471K  | CHIP C 470PF K       |                     |
| C77,78  |             |             | CC73GCH1H680J | CHIP C 68PF J        |                     |
| C79,80  |             |             | CK73GB1H222K  | CHIP C 2200PF K      |                     |
| C85     |             |             | CK73GB1C104K  | CHIP C 0.10UF K      |                     |
| C89     |             |             | CK73GB1H222K  | CHIP C 2200PF K      |                     |
| C90     |             |             | CK73GB1C104K  | CHIP C 0.10UF K      |                     |
| CN1     |             |             | E40-9536-05   | FLAT CABLE CONNECTOR |                     |
| CN2     |             |             | E40-9339-05   | FLAT CABLE CONNECTOR |                     |
| CN2     |             |             | E41-0036-05   | FLAT CABLE CONNECTOR |                     |
| CN2     |             |             | E41-0129-05   | FLAT CABLE CONNECTOR |                     |
| X1      |             |             | L78-0572-05   | RESONATOR (16.93MHZ) |                     |
| CP1-3   |             |             | R90-1019-05   | MULTI-COMP 100 X 2   |                     |
| R3      |             |             | RK73GB1J272J  | CHIP R 2.7K J 1/16W  |                     |
| R5      |             |             | RK73GB1J151J  | CHIP R 150 J 1/16W   |                     |
| R6      |             |             | RK73GB1J272J  | CHIP R 2.7K J 1/16W  |                     |
| R8      |             |             | RK73EB2B4R7J  | CHIP R 4.7 J 1/8W    |                     |
| R9      |             |             | RK73EB2B100J  | CHIP R 10 J 1/8W     |                     |
| R10,11  |             |             | RK73GB1J682J  | CHIP R 6.8K J 1/16W  |                     |
| R12     |             |             | RK73GB1J432J  | CHIP R 4.3K J 1/16W  |                     |
| R15     |             |             | RK73GB1J824J  | CHIP R 820K J 1/16W  |                     |
| R16     |             |             | RK73GB1J223J  | CHIP R 22K J 1/16W   |                     |
| R17     |             |             | RK73GB1J363J  | CHIP R 36K J 1/16W   |                     |
| R18     |             |             | RK73GB1J392J  | CHIP R 3.9K J 1/16W  |                     |
| R19     |             |             | RK73GB1J333J  | CHIP R 33K J 1/16W   |                     |
| R20     |             |             | RK73GB1J104J  | CHIP R 100K J 1/16W  |                     |
| R21     |             |             | RK73GB1J334J  | CHIP R 330K J 1/16W  |                     |

K4: KDC-216S M: KDC-2018

⚠ indicates safety critical components.

# KDC-216S/2018

## PARTS LIST

\* New Parts

Parts without Parts No. are not supplied.

Les articles non mentionnes dans le Parts No. ne sont pas fournis.

Teile ohne Parts No. werden nicht geliefert.

**CD PLAYER UNIT(X32-5010-00)**

**MECHANISM ASSY(X92-4130-00)**

| Ref.No.                             | A<br>d<br>d | N<br>e<br>w | Parts No.    | Description              | Dest<br>inati<br>on |
|-------------------------------------|-------------|-------------|--------------|--------------------------|---------------------|
| R32                                 |             |             | RK73GB1J104J | CHIP R 100K J 1/16W      |                     |
| R34                                 |             |             | RK73GB1J683J | CHIP R 68K J 1/16W       |                     |
| R36                                 |             |             | RK73GB1J151J | CHIP R 150 J 1/16W       |                     |
| R37                                 |             |             | RK73GB1J471J | CHIP R 470 J 1/16W       |                     |
| R38                                 |             |             | RK73GB1J224J | CHIP R 220K J 1/16W      |                     |
| R46                                 |             |             | RK73GB1J102J | CHIP R 1.0K J 1/16W      |                     |
| R47                                 |             |             | RK73GB1J103J | CHIP R 10K J 1/16W       |                     |
| R49                                 |             |             | RK73GB1J472J | CHIP R 4.7K J 1/16W      |                     |
| R52                                 |             |             | RK73GB1J104J | CHIP R 100K J 1/16W      |                     |
| R54                                 |             |             | RK73GB1J104J | CHIP R 100K J 1/16W      |                     |
| R71                                 |             |             | RK73GB1J103J | CHIP R 10K J 1/16W       |                     |
| R72                                 |             |             | RK73GB1J102J | CHIP R 1.0K J 1/16W      |                     |
| R73                                 |             |             | RK73GB1J473J | CHIP R 47K J 1/16W       |                     |
| R75                                 |             |             | RK73GB1J333J | CHIP R 33K J 1/16W       |                     |
| R76                                 |             |             | RK73GB1J622J | CHIP R 6.2K J 1/16W      |                     |
| R77                                 |             |             | RK73GB1J563J | CHIP R 56K J 1/16W       |                     |
| R78                                 |             |             | RK73GB1J243J | CHIP R 24K J 1/16W       |                     |
| R81                                 |             |             | RK73GB1J333J | CHIP R 33K J 1/16W       |                     |
| R82                                 |             |             | RK73GB1J123J | CHIP R 12K J 1/16W       |                     |
| R83                                 |             |             | RK73GB1J102J | CHIP R 1.0K J 1/16W      |                     |
| R102                                |             |             | RK73GB1J332J | CHIP R 3.3K J 1/16W      |                     |
| R104                                |             |             | RK73GB1J562J | CHIP R 5.6K J 1/16W      |                     |
| R107,108                            |             |             | RK73FB2A331J | CHIP R 330 J 1/10W       |                     |
| R117,118                            |             |             | RK73FB2A203J | CHIP R 20K J 1/10W       |                     |
| R121,122                            |             |             | RK73FB2A203J | CHIP R 20K J 1/10W       |                     |
| R125,126                            |             |             | RK73FB2A203J | CHIP R 20K J 1/10W       |                     |
| R202                                |             |             | RK73GB1J104J | CHIP R 100K J 1/16W      |                     |
| R214                                |             |             | RK73GB1J104J | CHIP R 100K J 1/16W      |                     |
| R218                                |             |             | RK73GB1J473J | CHIP R 47K J 1/16W       |                     |
| R233                                |             |             | RK73GB1J622J | CHIP R 6.2K J 1/16W      |                     |
| R234                                |             |             | RK73GB1J103J | CHIP R 10K J 1/16W       |                     |
| R238                                |             |             | RK73FB2A201J | CHIP R 200 J 1/10W       |                     |
| W17                                 |             |             | R92-2053-05  | CHIP R 0 J 1/8W          |                     |
| S1,2                                |             |             | S68-0838-05  | PUSH SWITCH              |                     |
| S3                                  |             |             | S68-0859-05  | PUSH SWITCH              |                     |
| D1,2                                |             |             | DAN202U      | DIODE                    |                     |
| D3                                  |             |             | DA204U       | DIODE                    |                     |
| D4                                  |             |             | DAN202U      | DIODE                    |                     |
| D5                                  |             |             | MA8051-L     | ZENER DIODE              |                     |
| IC1                                 |             |             | AN22000AA    | ANALOGUE IC              |                     |
| IC2                                 |             |             | MN662774KG1  | MOS-IC                   |                     |
| IC4                                 |             |             | BA5917AFP    | ANALOGUE IC              |                     |
| IC6                                 |             |             | NJM4565MD    | IC(OP AMP X2)            |                     |
| Q1                                  |             |             | MCH6101      | TRANSISTOR               |                     |
| Q2                                  |             |             | DTC124EUA    | DIGITAL TRANSISTOR       |                     |
| Q3                                  |             |             | DTA143XUA    | DIGITAL TRANSISTOR       |                     |
| Q4                                  |             |             | 2SA1362(Y)   | TRANSISTOR               |                     |
| Q5                                  |             |             | DTC124EUA    | DIGITAL TRANSISTOR       |                     |
| <b>MECHANISM ASSY (X92-4130-00)</b> |             |             |              |                          |                     |
| 1                                   | 2A          |             | A10-4482-01  | CHASSIS                  |                     |
| 2                                   | 1B          |             | A10-4225-33  | CHASSIS CALKING ASSY     |                     |
| 3                                   | 2B          |             | A11-0915-43  | SUB CHASSIS CALKING ASSY |                     |
| 6                                   | 2A          |             | D10-4306-04  | ARM ASSY                 |                     |

| Ref.No. | A<br>d<br>d | N<br>e<br>w | Parts No.   | Description            | Dest<br>inati<br>on |
|---------|-------------|-------------|-------------|------------------------|---------------------|
| 7       | 2A          |             | D10-4305-04 | ARM ASSY               |                     |
| 8       | 3A          |             | D10-3087-44 | ARM ASSY               |                     |
| 9       | 3B          |             | D10-3092-03 | SLIDER                 |                     |
| 10      | 3B          |             | D10-3093-04 | SLIDER ASSY            |                     |
| 11      | 2B          |             | D10-3095-04 | SLIDER ASSY            |                     |
| 12      | 2B          |             | D10-3096-04 | SLIDER ASSY            |                     |
| 13      | 1A          |             | D10-3099-24 | SLIDER ASSY            |                     |
| 14      | 1A          |             | D10-3100-04 | SLIDER ASSY            |                     |
| 16      | 1B          |             | D10-4004-04 | LEVER ASSY             |                     |
| 17      | 1B          |             | D10-4006-04 | LEVER                  |                     |
| 18      | 1A          |             | D10-4007-04 | LEVER                  |                     |
| 19      | 2B          |             | D10-4008-14 | LEVER                  |                     |
| 20      | 2A          |             | D10-4009-23 | ARM                    |                     |
| 21      | 3A          |             | D10-4010-04 | LEVER                  |                     |
| 22      | 3A          |             | D10-4307-04 | LEVER ASSY             |                     |
| 24      | 3B          |             | D10-4050-04 | ARM                    |                     |
| 25      | 3A          |             | D10-4038-23 | ARM ASSY               |                     |
| 26      | 2A          |             | D10-4123-24 | LEVER ASSY             |                     |
| 27      | 3A          |             | D13-1442-03 | RACK (GEAR)            |                     |
| 29      | 3B          |             | D13-1231-04 | GEAR                   |                     |
| 30      | 3A          |             | D13-1240-04 | GEAR                   |                     |
| 31      | 3B          |             | D13-1233-04 | GEAR                   |                     |
| 32      | 3B          |             | D13-1234-14 | GEAR ASSY              |                     |
| 33      | 3A          |             | D13-1441-03 | GEAR                   |                     |
| 34      | 3B          |             | D13-1232-04 | GEAR                   |                     |
| 35      | 3B          |             | D13-1241-04 | GEAR                   |                     |
| 36      | 3A          |             | D13-1242-04 | GEAR                   |                     |
| 37      | 1B          |             | D13-1243-04 | GEAR                   |                     |
| 38      | 1B          |             | D13-1244-04 | GEAR                   |                     |
| 39      | 1B          |             | D13-1245-14 | GEAR                   |                     |
| 40      | 2A          |             | D13-1246-04 | GEAR                   |                     |
| 41      | 2B          |             | D13-1247-04 | GEAR                   |                     |
| 43      | 2B          |             | D13-1249-04 | GEAR ASSY              |                     |
| 44      | 2B          |             | D13-1341-04 | GEAR ASSY (LEAD SCREW) |                     |
| 45      | 1B          |             | D14-0668-04 | ROLLER                 |                     |
| 46      | 2A          |             | D14-0670-04 | ROLLER                 |                     |
| 47      | 3B          |             | D14-0674-04 | ROLLER                 |                     |
| 49      | 3A          |             | D21-2228-14 | SHAFT                  |                     |
| 50      | 1A          |             | D21-2229-04 | SHAFT                  |                     |
| 51      | 1A          |             | D23-0925-24 | RETAINER               |                     |
| 52      | 2A          |             | D32-0614-04 | STOPPER                |                     |
| 53      | 1B          |             | D39-0223-05 | DAMPER (YELLOW)        |                     |
| 54      | 2B          |             | D39-0224-05 | DAMPER (BLACK)         |                     |
| 55      | 3B          |             | F09-1246-04 | SHEET                  |                     |
| 58      | 3B          |             | F09-1266-14 | SHEET                  |                     |
| 60      | 2A          |             | G01-2770-04 | EXTENSION SPRING       |                     |
| 61      | 3A          |             | G01-2771-04 | EXTENSION SPRING       |                     |
| 62      | 3A          |             | G01-2772-24 | EXTENSION SPRING       |                     |
| 63      | 3A          |             | G01-2773-14 | EXTENSION SPRING       |                     |
| 64      | 3A          |             | G01-2774-34 | EXTENSION SPRING       |                     |
| 65      | 1B          |             | G01-2775-04 | TORSION COIL SPRING    |                     |
| 66      | 1B          |             | G01-2776-14 | TORSION COIL SPRING    |                     |
| 67      | 3B          |             | G01-2777-24 | TORSION COIL SPRING    |                     |
| 69      | 2A          |             | G01-2844-04 | EXTENSION SPRING       |                     |

K4: KDC-216S M: KDC-2018

▲ indicates safety critical components.



**PARTS LIST**

\* New Parts

Parts without Parts No. are not supplied.

Les articles non mentionnes dans le Parts No. ne sont pas fournis.

Teile ohne Parts No. werden nicht geliefert.

**MECHANISM ASSY(X92-4130-00)**

| Ref.No. | A<br>d<br>d | N<br>e<br>w | Parts No.   | Description                   | Dest<br>inati<br>on |
|---------|-------------|-------------|-------------|-------------------------------|---------------------|
| 70      | 2A          |             | G02-1231-04 | FLAT SPRING                   |                     |
| 71      | 2B          |             | G02-1232-24 | FLAT SPRING                   |                     |
| 72      | 2A          |             | G02-1241-24 | FLAT SPRING                   |                     |
| 75      | 2A          |             | J11-0613-13 | CLAMPER                       |                     |
| 76      | 3A          |             | J19-4678-13 | HOLDER                        |                     |
| 77      | 2B          |             | J19-4679-24 | HOLDER                        |                     |
| 78      | 3B          |             | J21-7684-13 | MOUNTING HARDWARE             |                     |
| 79      | 2B          |             | J21-7686-13 | MOUNTING HARDWARE             |                     |
| 80      | 1B          |             | J21-7690-03 | MOUNTING HARDWARE             |                     |
| 82      | 3A          |             | J84-0107-05 | FLEXIBLE PRINTED WIRING BOARD |                     |
| 83      | 1A          |             | J90-0757-22 | GUIDE                         |                     |
| A       | 2A          |             | N09-4249-05 | MACHINE SCREW (M1.7X2.5,LOCK) |                     |
| B       | 1B          |             | N09-4172-05 | TAPPING SCREW (2X3.5,CTITE)   |                     |
| C       | 2B          |             | N09-4202-05 | STEPPED SCREW                 |                     |
| D       | 2A          |             | N38-2020-46 | PAN HEAD MACHIN SCREW         |                     |
| E       | 3A          |             | N09-4294-05 | TAPTITE SCREW (BIND P TAPTIT) |                     |
| F       | 3B          |             | N19-2023-04 | FLAT WASHER                   |                     |
| G       | 2A          |             | N19-2058-04 | FLAT WASHER                   |                     |
| H       | 3A          |             | N19-2093-04 | FLAT WASHER                   |                     |
| J       | 2A          |             | N39-2020-46 | PAN HEAD MACHIN SCREW         |                     |
| DM1     | 3B          |             | T42-0764-04 | DC MOTOR ASSY                 |                     |
| DM2     | 3B          |             | T42-0763-04 | DC MOTOR ASSY                 |                     |
| DPU1    | 2B          |             | T25-0215-05 | OPTICAL PICKUP HEAD           |                     |

| Ref.No. | A<br>d<br>d | N<br>e<br>w | Parts No. | Description | Dest<br>inati<br>on |
|---------|-------------|-------------|-----------|-------------|---------------------|
|         |             |             |           |             |                     |

# KDC-216S/2018

## SPECIFICATIONS

### KDC-216S

#### FM Section

|                                  |                                    |
|----------------------------------|------------------------------------|
| Frequency Range                  | 87.9MHz~107.9MHz                   |
| (Frequency Step)                 | (200kHz)                           |
| Channel Space Selection          | 50k/200kHz                         |
| Usable Sensitivity(S/N:30dB)     | 9.3dBf (0.8 $\mu$ V/75 $\Omega$ )  |
| Quieting Sensitivity(S/N:50dB)   | 15.2dBf (1.6 $\mu$ V/75 $\Omega$ ) |
| Frequency Response( $\pm$ 3.0dB) | 30Hz~15kHz                         |
| S/N                              | 70dB (MONO)                        |
| Selectivity                      | $\geq$ 80dB( $\pm$ 400kHz)         |
| Stereo Separation                | 40dB(1kHz)                         |

#### AM Section

|                              |                         |
|------------------------------|-------------------------|
| Frequency Range              | 530kHz~1700kHz          |
| (Frequency Step)             | (10kHz)                 |
| Channel Space Selection      | 9k/10kHz                |
| Usable Sensitivity(S/N:20dB) | 28dB $\mu$ (25 $\mu$ V) |

#### CD Section

|                     |                           |
|---------------------|---------------------------|
| Laser Diode         | GaAlAs( $\lambda$ =780nm) |
| Digital Filter(D/A) | 8 Times Over Sampling     |
| D/A Converter       | 1Bit                      |
| Spindle Speed       | 500~200(CLV)              |
| Wow & Flutter       | Below Measurable Limit    |
| Frequency Response  | 10~20kHz( $\pm$ 1dB)      |
| THD                 | 0.01%(1kHz)               |
| S/N Ratio           | 96dB(1kHz)                |
| Dynamic Range       | 93dB                      |
| Channel Separation  | 85dB                      |

#### AMPLIFIER Section

|                      |                          |
|----------------------|--------------------------|
| Preout Level/Load    | 1800mV/10k $\Omega$ (CD) |
| Preout Impedance     | $\leq$ 600 $\Omega$      |
| Maximum Power        | 45W $\times$ 4           |
| Full Bandwidth Power | 22W $\times$ 4           |
| (at less than 1%THD) |                          |

#### TONE Section

|        |                  |
|--------|------------------|
| Bass   | 100Hz $\pm$ 10dB |
| Middle | 1kHz $\pm$ 10dB  |
| Treble | 10kHz $\pm$ 10dB |

#### General

|                       |                    |
|-----------------------|--------------------|
| Operating Voltage     | 14.4V              |
| (11V~16V allowable)   |                    |
| Current Consumption   | 10A                |
| Installation Size (W) | 182(mm) 7-3/16(in) |
| (H)                   | 53(mm) 2-1/16(in)  |
| (D)                   | 157(mm) 6-3/16(in) |
| Weight                | 1.5kg(3.31lbs)     |

### KDC-2018

#### FM Section

|                                  |                                    |
|----------------------------------|------------------------------------|
| Frequency Range                  | 87.5MHz~108.0MHz                   |
| (Frequency Step)                 | (50kHz)                            |
| Channel Space Selection          | 50k/200kHz                         |
| Usable Sensitivity(S/N:30dB)     | 9.3dBf (0.8 $\mu$ V/75 $\Omega$ )  |
| Quieting Sensitivity(S/N:50dB)   | 15.2dBf (1.6 $\mu$ V/75 $\Omega$ ) |
| Frequency Response( $\pm$ 3.0dB) | 30Hz~15kHz                         |
| S/N                              | 70dB (MONO)                        |
| Selectivity                      | $\geq$ 80dB( $\pm$ 400kHz)         |
| Stereo Separation                | 40dB(1kHz)                         |

#### AM Section

|                              |                         |
|------------------------------|-------------------------|
| Frequency Range              | 531kHz~1611kHz          |
| (Frequency Step)             | (9kHz)                  |
| Channel Space Selection      | 9k/10kHz                |
| Usable Sensitivity(S/N:20dB) | 28dB $\mu$ (25 $\mu$ V) |

#### CD Section

|                     |                           |
|---------------------|---------------------------|
| Laser Diode         | GaAlAs( $\lambda$ =780nm) |
| Digital Filter(D/A) | 8 Times Over Sampling     |
| D/A Converter       | 1Bit                      |
| Spindle Speed       | 500~200(CLV)              |
| Wow & Flutter       | Below Measurable Limit    |
| Frequency Response  | 10~20kHz( $\pm$ 1dB)      |
| THD                 | 0.01%(1kHz)               |
| S/N Ratio           | 96dB(1kHz)                |
| Dynamic Range       | 93dB                      |
| Channel Separation  | 85dB                      |

#### AMPLIFIER Section

|                      |                          |
|----------------------|--------------------------|
| Preout Level/Load    | 1800mV/10k $\Omega$ (CD) |
| Preout Impedance     | $\leq$ 600 $\Omega$      |
| Maximum Power        | 45W $\times$ 4           |
| Full Bandwidth Power | 22W $\times$ 4           |
| (at less than 1%THD) |                          |

#### TONE Section

|        |                  |
|--------|------------------|
| Bass   | 100Hz $\pm$ 10dB |
| Middle | 1kHz $\pm$ 10dB  |
| Treble | 10kHz $\pm$ 10dB |

#### General

|                       |                    |
|-----------------------|--------------------|
| Operating Voltage     | 14.4V              |
| (11V~16V allowable)   |                    |
| Current Consumption   | 10A                |
| Installation Size (W) | 182(mm) 7-3/16(in) |
| (H)                   | 53(mm) 2-1/16(in)  |
| (D)                   | 157(mm) 6-3/16(in) |
| Weight                | 1.5kg(3.31lbs)     |